



# **ALLURE**

## **GAS OPEN FIRE**



## **INDOOR MANUAL CONTROL**

### **MODELS**

**930-730-630**

**APRIL 2008**

# **INSTALLATION OPERATION, MAINTENANCE & WARRANTY INFORMATION**

**These instructions should be stored in a convenient safe place for ready reference.**

Designed and built by:

**YUNCA GAS**

2 Donald Street, Kaikorai Valley  
PO Box 500, Dunedin 9054.

Phone 03 488 4342

Email [dunedin@yunca.co.nz](mailto:dunedin@yunca.co.nz)

Fax

03 488 1017

Web

[www.yunca.co.nz](http://www.yunca.co.nz)

<b>CONTENTS</b>	<b>PAGE</b>
<b>INTRODUCTION</b>	<b>2</b>
<b>CAUTIONS &amp; MAINTENANCE</b>	<b>3</b>
<b>INSTALLATION and SERVICING</b>	
<b>DIMENSIONS and CLEARANCES</b>	<b>4</b>
<b>FRAMING and CLADDING</b>	<b>5</b>
<b>FLUE INSTALLATION</b>	<b>6 - 7</b>
<b>PLACING of Unit</b>	<b>8</b>
<b>CONNECTION TO GAS SUPPLY &amp; TESTING PRESSURES</b>	<b>9 - 10</b>
<b>REMOVING PANELS and PARTS FOR SERVICING</b>	<b>11 - 12</b>
<b>COAL AND LOG LAYOUT</b>	<b>13 - 14</b>
<b>OPERATION and COMMISSIONING</b>	<b>15</b>
<b>Appendix A</b>	
<b>FAULT FINDING GUIDE</b>	<b>15 - 16</b>
<b>Appendix B</b>	
<b>SPARE PARTS LIST</b>	<b>17 - 18</b>
<b>Appendix C</b>	
<b>WARRANTY</b>	<b>19</b>
<b>Appendix D</b>	
<b>WARRANTY REGISTRATION</b>	<b>20</b>

## **INTRODUCTION**

Welcome and congratulations on purchasing your YUNCA ALLURE INDOOR MANUAL CONTROL flued gas open fire. Please read these **Operating Instructions** carefully before attempting to operate the heater, and ensure all members of your home understand how this elegant heater functions. If you have any questions please contact your Yunca dealer.

**These instructions cover only the INDOOR MANUAL CONTROL models.**

Please fill out the warranty on the last page, and return the registration form promptly.

The **YUNCA ALLURE INDOOR MANUAL CONTROL FLUED GAS FIRE** is a gas-fired, conventionally vented room heater. It is manufactured to New Zealand standards.

## **CAUTIONS:**

The Yunca Allure Indoor Manual Control requires 240v power only to operate the fan boost as a means of more effective heating. **ENSURE THAT THE POWER SWITCH IS READILY ACCESSIBLE (DO NOT install the switch inside any cavity area).**

**This appliance must be flued to the atmosphere.**

This installation and any future service or repair work must be carried out by a suitably qualified person and comply with the current New Zealand (Australian installation code) NZS 5261:1996 (AG 601:2002)

Control valve compartments, burners, fan, and air circulating passageways of the **ALLURE** must be kept free from any lint and dust build-up to ensure efficient and safe operation of the heater.

**DO NOT PLACE ARTICLES ON OR AGAINST THIS APPLIANCE.**

**DO NOT USE OR STORE FLAMMABLE MATERIALS NEAR THIS APPLIANCE.**

**DO NOT SPRAY AEROSOLS IN THE VICINITY OF THIS APPLIANCE WHILE IT IS OPERATIONAL.**

**ENSURE THAT HOME VENTILATION SYSTEMS DO NOT AFFECT THE DRAW OR FLAME PATTERN OF THE FIRE.**

## **STAINLESS STEEL FASCIAS...**

are shipped with protective plastic in place to reduce the risk of damage in transit. Remove this plastic immediately before fitting the fascia to the fire.

Do not use abrasive cloths or cleaners on stainless steel fascias. Use only specialised Stainless Steel cleaners available from your local hardware store.

## **MAINTENANCE**

**YUNCA GAS HIGHLY RECOMMENDS THAT a qualified service person should conduct an annual inspection and undertake any maintenance required on your Yunca Allure.**

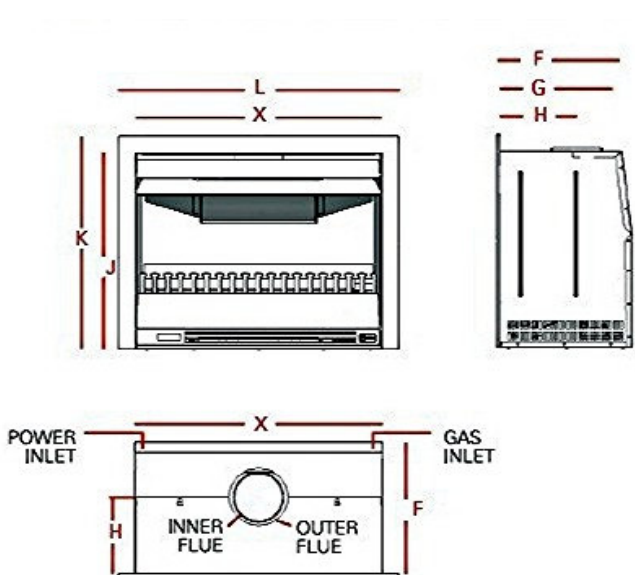
**Its venting and installation must be checked to keep it running safely and efficiently. Procedures should be performed only by a qualified service person.**

**The gas supply and electrical power should be isolated whenever any maintenance procedures are undertaken.**

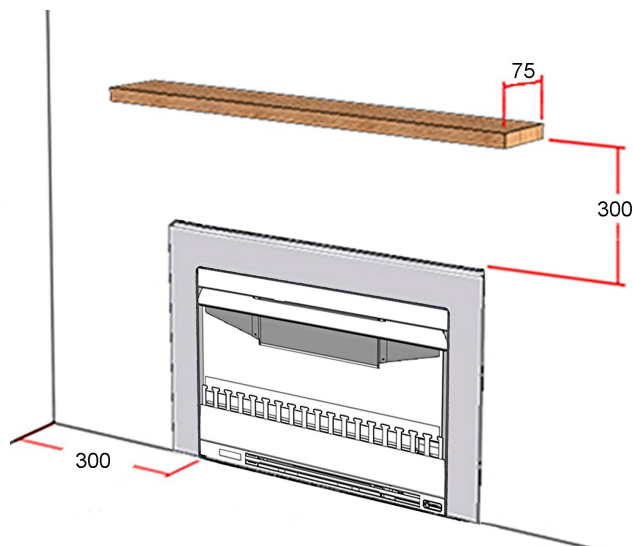
# DIMENSIONS and CLEARANCES

Diagrams on the following pages are not to scale. All measurements are in millimetres. The Yunca Allure flued gas fire is to be installed with clearances equal to, or greater than, those recommended on the following pages, and must comply with NZS 5261:2003/AG601

## ZERO CLEARANCE FIREBOX



## MANTEL



MODEL	F	G	H	J	K	L	X	FLUE DIA INNER / OUTER
<b>630</b>	400	360	295	590	640	730	580	150/200
<b>730</b>	400	360	235	590	670	900	740	150/200
<b>930</b>	400	360	235	590	670	1100	940	200/250

Also available is a Bottom Fascia Strip for each model. This strip (730 & 930 - 85 mm high, 630 – 55mm high) is fitted below a regular three-sided fascia for a “picture frame” look.

## CLEARANCES:

Floor protector – 300mm in front of and 100mm from side of firebox opening. 6mm minimum thickness, using heat resistant materials.

Built in heat cell (zero clearance) requires minimum 25mm from combustibles all around

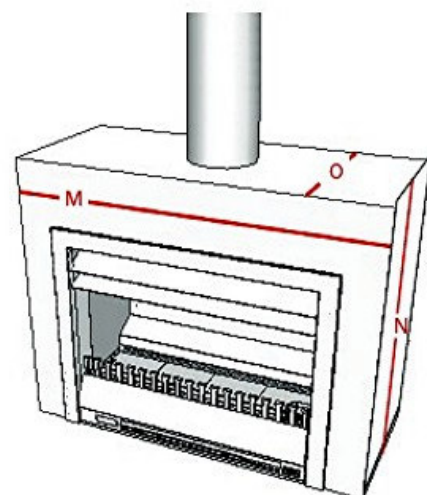
Mantel – 300mm above fascia required when the mantel projects no more than 75mm.

Side to wall – 300mm from firebox opening.

## FREESTANDING CABINET DIMENSIONS:

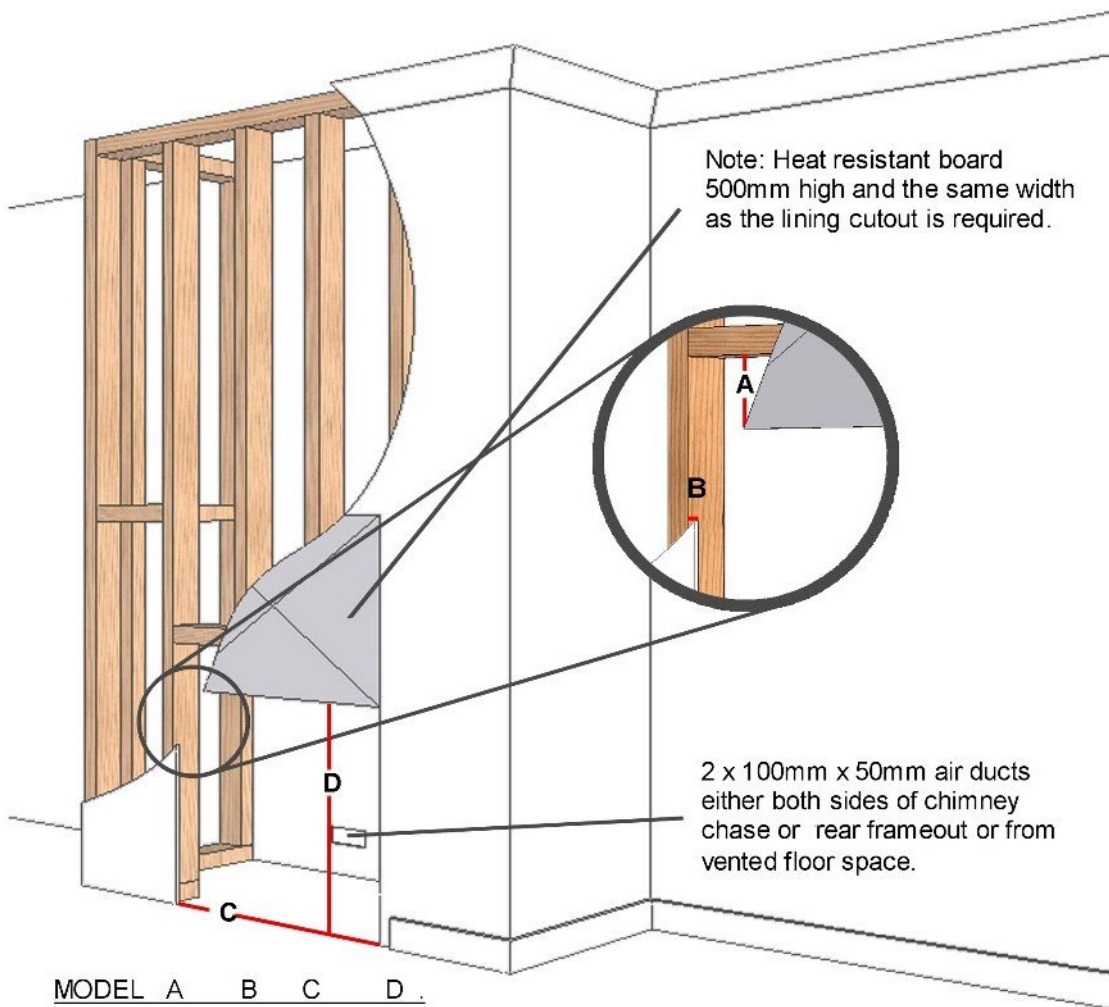
MODEL	M	N	O	FLUE DIA	MATCHING DECORATIVE LINER DIA
<b>630</b>	901	830	460	150	195
<b>730</b>	1060	830	460	150	195
<b>930</b>	1100	830	460	200	245

Rear clearance behind the cabinet is a minimum of 100mm.



# INSTALLATION INTO TIMBER FRAMED CHIMNEY CHASES

## **FRAMEOUT INTO ROOM (requires ZERO CLEARANCE FLUE KIT)**



MODEL	A	B	C	D
630	80	25	630	620
730	80	25	790	620
930	80	25	1000	620

**Note:** Framing minimum width from side of zero clearance firebox to side wall is 130mm (on each side), i.e. the minimum width of the chimney chase shall be Dimension “B” + Dimension “C” + 260mm. This is to ensure air circulation around the appliance and avoid heat damage to wall coverings. Installation must comply with NZS5261:2003/AG601

Two main configurations are used in new installations into new homes. Both require slightly different approaches with air venting, but both require the use of zero clearance flue kits.

1. For dedicated chimney chases NOT open to the roof-ceiling cavity.  
The chase must be vented at the bottom near the base level of the fireplace with 2 individual vents, preferably one each side of the fire, each with a minimum size of 100mm x 50mm opening. Identical vents must be repeated near the top of the chase, preferably directly above the bottom vents.
2. For chimney chases that open into and share the roof-ceiling cavity.  
The chase must be vented at the bottom near the base level of the fireplace with 2 individual vents, preferably one each side of the fire, each with a minimum size of 100mm x 50mm opening.

Air vents must be of a bird & vermin proof design and able to prevent rain penetration into the chase.

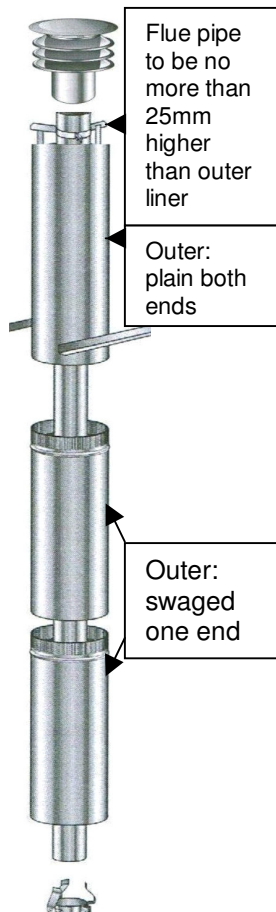
# **ZERO CLEARANCE GAS FLUE KIT (3.6m): INSTALLATION INSTRUCTIONS**

## **Yunca Gas ALLURE OPEN FIRE 630, 730 (150mm dia flue), 930 (200mm flue)**

This flue kit has been manufactured in accordance with NZS 5261:1996. To ensure safety this flue kit must be installed as outlined in these instructions. Appliance and flue clearances from combustible walls must be in accordance with heater manufacturers specifications and NZS 5261:1996.

- 1) Locate heater in its proposed position and mark the points for penetration that are directly above the centre of the heater's flue outlet. Check that the heater's location allows the OUTER HEAT SHIELD to clear all structural timbers.
- 2) Cut 250mm square holes (930 requires 300mm square holes) where penetration is required to accommodate OUTER HEAT SHIELD.

**NB: A minimum 25mm clearance is required between OUTER HEAT SHIELD and combustible SURFACES.**



- 3) Fit timber nogs around holes where necessary.

4) Assemble OUTER HEAT SHIELD lengths together ensuring seams are in line and secure with 3 rivets or self-tapping screws. Lower OUTER HEAT SHIELD through the roof or chimney structure and fit to heater spigot. Check height the OUTER HEAT SHIELD penetrates roof or chimney structure.

The flue is required to be at least 500mm above the nearest point on any part of the roof. It is recommended that in some instances extending the flue above the ridgeline will be necessary. Refer to NZS 5261:1996 for more information. Additional HEAT SHIELDS may have to be added to ensure the correct roof penetration heights are obtained.

5) Assemble the 150mm (**930 model uses 200mm**) stainless steel FLUE PIPES together ensuring all seams are in line using 3 pop rivets or screws and seal joints with appropriate sealant. (Use ST/ST rivets or screws)

6) Fit FLUE SPACER BRACKETS to FLUE if necessary to maintain air gap between FLUE PIPES and OUTER HEAT SHIELD.

7) Lower stainless steel FLUE PIPES from the roof into the OUTER HEAT SHIELD (crimped ends towards heater) and into the heater flue outlet. Lift OUTER HEAT SHIELD for access and seal flue to heater stub.

8) Secure OUTER HEAT SHIELD to heater, if necessary.

9) Using ANGLE BRACKETS secure OUTER HEAT SHIELD to nogs around penetration holes. **NB A minimum 25mm clearance is required between OUTER HEAT SHIELD and combustible surfaces**

10) Fix an appropriate flashing around the OUTER HEAT SHIELD to seal onto the roofing or chimney material.

11) Fix TOP FLUE SPACER BRACKET to the flue making sure lugs fit snugly inside OUTER HEAT SHIELD.

12) Fit GAS COWL into FLUE pushing down fully onto TOP SPACER BRACKET. Secure with a self-tapping stainless steel screw.

### **YUNCA ZERO CLEARANCE FLUE KIT CONTENTS:**

#### **630 & 730 Models**

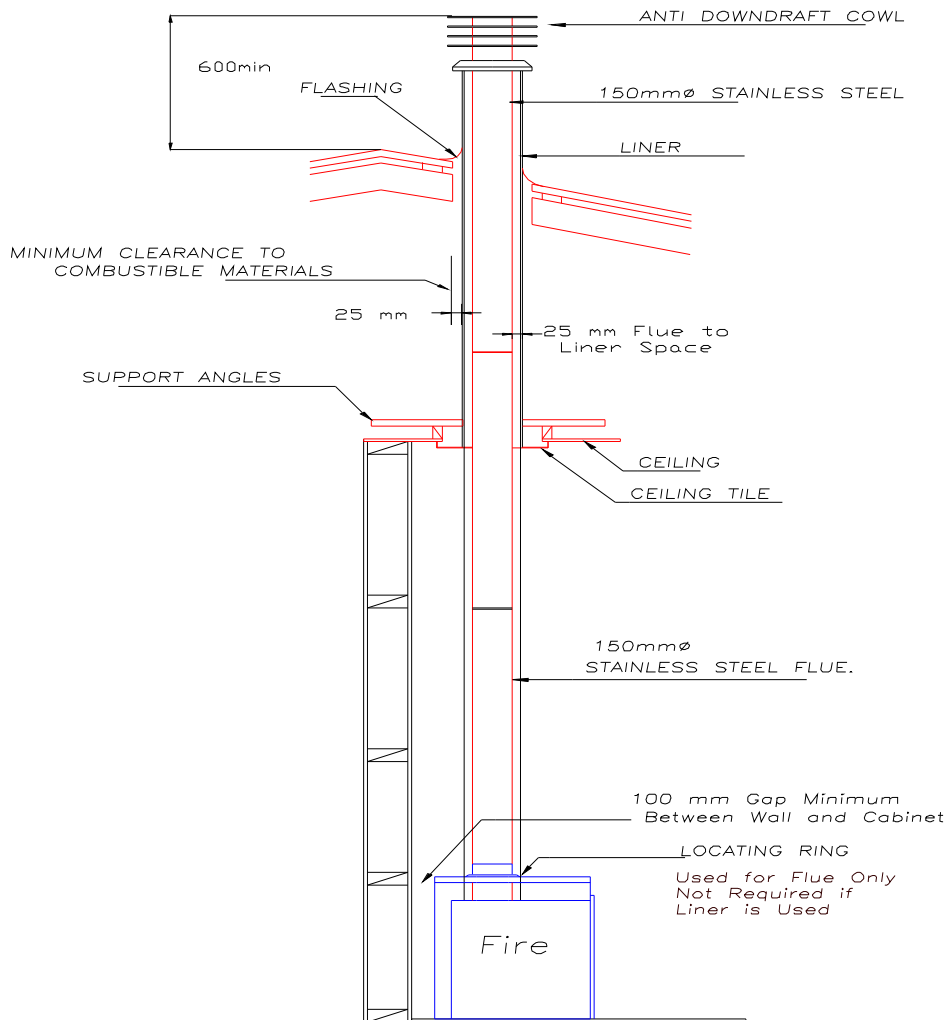
3 x 150mm x1200mm StSt Flue	1 x 200mm x 1200mm Galv liner (plain both ends)
1 x Std Gas cowl	2 x 200mm x 1200mm Galv liner (swaged one end)
1 x Bottom spider	2 x inner / outer flue spacers

#### **930 Model**

3 x 200mm x1200mm StSt Flue	1 x 250mm x 1200mm Galv liner (plain both ends)
1 x Std Gas cowl	2 x 250mm x 1200mm Galv liner (swaged one end)
1 x Bottom spider	2 x inner / outer flue spacers

**N.B. It is the responsibility of the installer to ensure that the installation of this flue kit complies with the appliance manufacturers specifications for flues and those relevant Local Body requirements are adhered to. Also refer to page 7.**

# TYPICAL FLUE INSTALLATION (FREESTANDING)



**N.B. Diagram is for INDOOR installations, NTS for illustration purposes  
(930 model uses 200mm flue, 250mm liner)**

## CONDITIONS FOR FLUES

1. The Flue Shall Extend to:
  - a) In the case of a Pitched roof, Not less than 600 mm above the Highest Point of the Roof.
  - b) In the case of a Flat roof, (ie. With a Pitch of less than 30°) not less than 1500 mm above the Highest Point of the Roof.
  - c) In any case the length of the Flue shall be not less than 3.6 metres from the Top of the Appliance Flue Spigot.
2. Minimum Total Flue Length = 3.6 metres
3. Flue must be 1.2 metres high before any Lateral is fitted.
4. Any Lateral run in a Flue shall be:
  - a) No more than 1.0 metre in the horizontal plane
  - b) Not be less than 45 degrees above the horizontal plane.

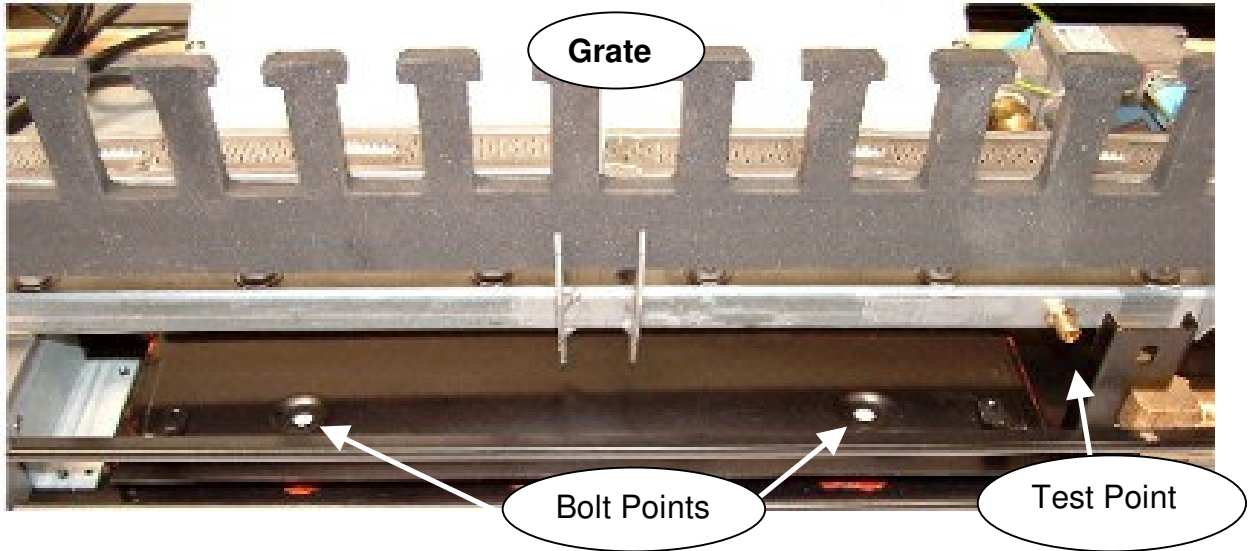
# PLACING

The unit should be bolted to the floor to ensure no movement in the event of an earthquake or similar.

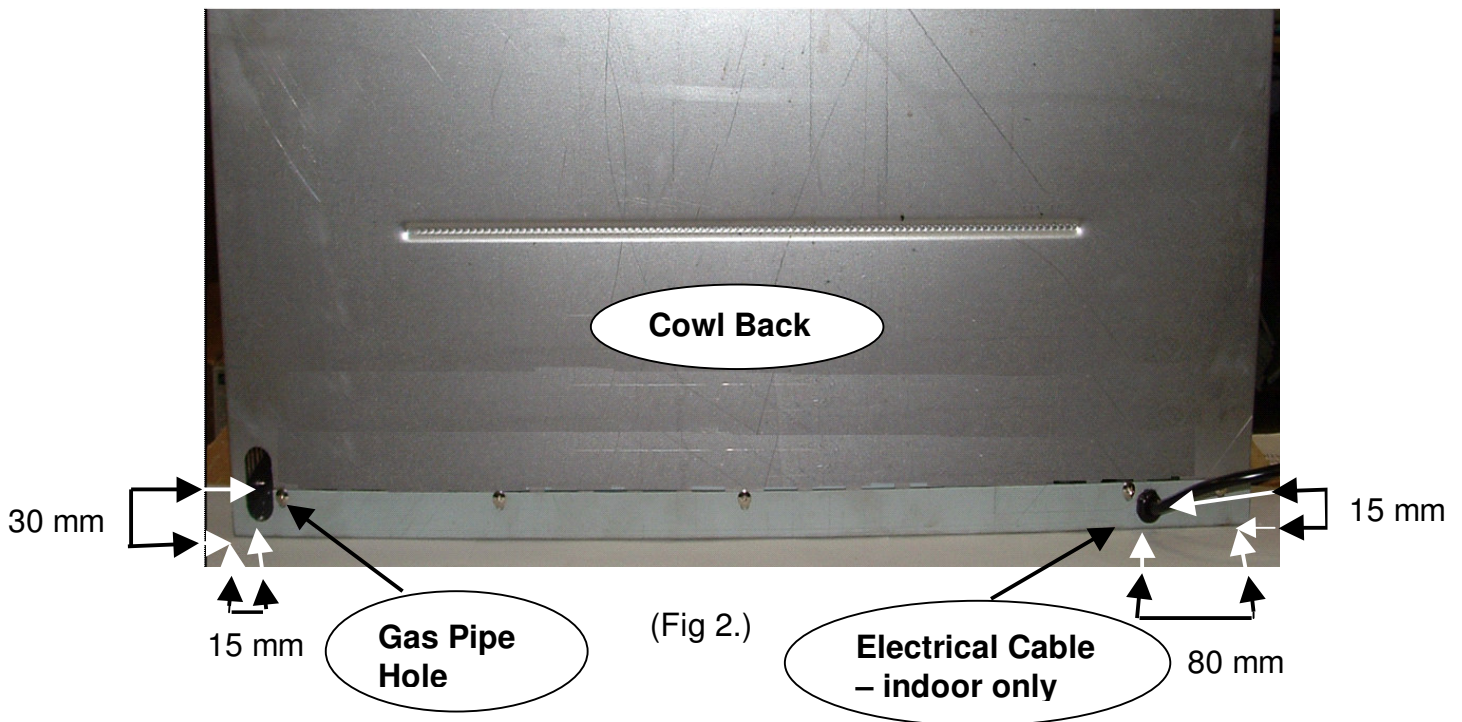
(FIG 1)

Laying of the gas pipes and any electrical supply may need to be completed before the heater is finally positioned. (Fig 2.) (6mm dia x 50mm Coach Bolts Supplied).

If the appliance is being attached to a concrete floor dyna bolts should be used, if the floor is wooden the bolts used should be long enough to go fully through the floorboards and fixed with nuts and washers from the underside.



(Fig 1.)



(Fig 2.)



# CONNECTION TO GAS SUPPLY AND TESTING PRESSURES

## **ELECTRICAL:**

The unit is connected to the mains supply (240 50Hz 0.5Amp) via the 3m flex with three-pin plug (for fan boost operation).

## **GAS SUPPLY:**

Burn only the fuel for which the appliance is equipped. The data plate affixed to the base of the appliance specifies the gas type, which the appliance is factory equipped for.

## **CONNECTION:**

The gas inlet is a Titon 45° 3/8" Tube (LPG) or a Titon 45° 1 / 2" tube (NATURAL)  
(Nut Supplied for Connection)

**A separate gas isolation valve should be installed immediately up stream of the connection to the appliance.**

**Important: Gas Pipe sizing:** The supply pipe size should be determined from NZS 5261 to ensure correct gas supply to the appliance. Incorrect pipe sizing **WILL** affect the performance of this appliance.

**WARNING:** To stop pipe compounds entering the gas line, do not apply sealing compounds to the first two threads at the tip of any gas connection. All joints should be tested for leaks before operating the fire.

## **Gas pressure requirements:**

Correct gas pressure and the use of a properly sized gas supply line are essential for the safe and efficient performance of this appliance. The inlet and outlet pressures at the control must be tested on installation. Note: Improper gas pressure will affect heater performance, flame colour or cause pilot malfunction.

### Natural Gas:

Input	<b>930:</b> 53 MJ, <b>730:</b> 50 MJ, <b>630:</b> 35 MJ
Minimum inlet pressure	1.25 kPa (5"w.g.)
Maximum inlet pressure	5.0 kPa (20"w.g.)
Max Manifold Operating pressure	0.6 kPa with Burners on HIGH 0.25 kPa with Burners on LOW

### LPG:

Input	<b>930 &amp; 730:</b> 48 MJ <b>630:</b> 35 MJ
Minimum inlet pressure	2.75 kPa (11"w.g.)
Maximum inlet pressure	3.5 kPa (14"w.g.)
Max Manifold Operating pressure	1.5 kPa with Burners on HIGH 0.7 kPa with Burners on LOW

**CAUTION: Do not use this appliance if any part has been water damaged or exposed to moisture causing corrosion.**

**A Qualified service technician should inspect the appliance and replace any part of the gas system that has been water damaged.**

# GAS PRESSURE TESTING

This heater should be installed in accordance with "Gas Installation Code AG601", and/or any local authority rules.

Each Yunca Allure Heater is factory set to the appropriate operating pressure for the gas type that it is factory equipped. If gas pressure requires adjustment, or a gas type conversion is required, the operating pressure can be tested at the test nipple on the side of the BM 733 control. Operating pressure is adjusted at either the LPG or NG in line regulator.

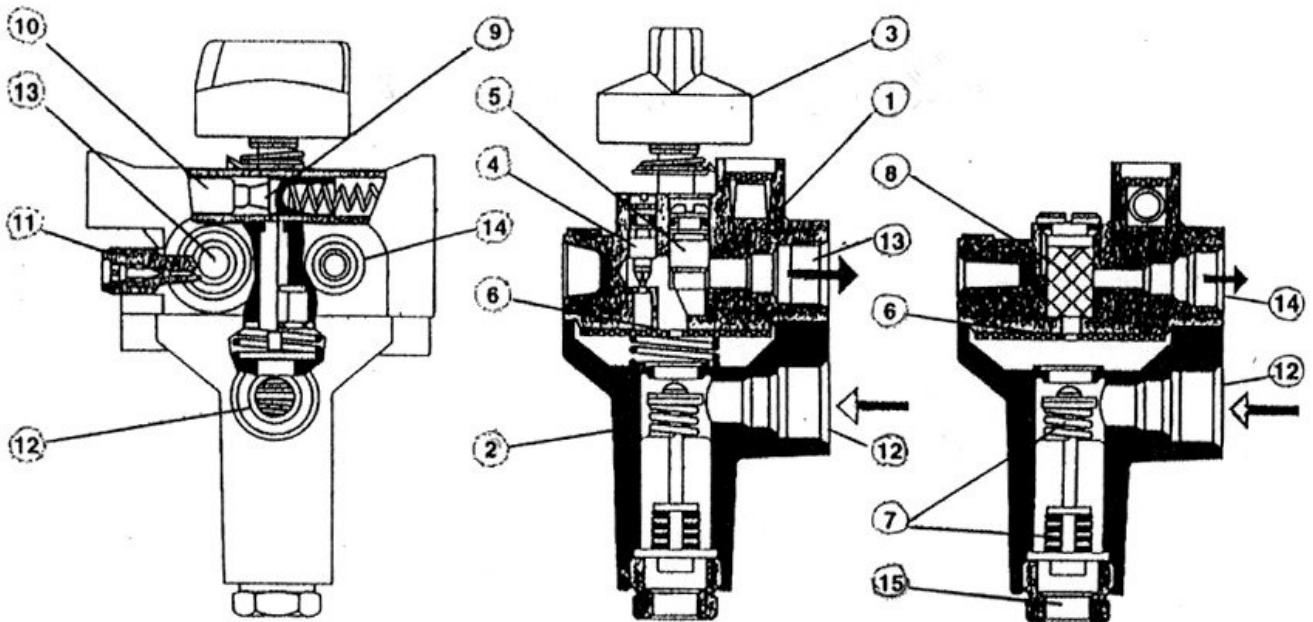
Gas Type, Pressures and jet sizes appear on data plate.

The Allure Heater uses the BM733 control valve, a functional view of this is shown below.

## Legend to functional diagram

- |                               |                         |                             |
|-------------------------------|-------------------------|-----------------------------|
| 1. Valve body, top section    | 6. Disk valve           | 11. Pressure test nipple    |
| 2. Valve body, bottom section | 7. Flame failure device | 12. Main gas inlet          |
| 3. Control knob               | 8. Pilot gas filter     | 13. Main gas outlet         |
| 4. Min. Setting screw         | 9. Piezo hammer         | 14. Pilot gas outlet        |
| 5. Max. Setting screw         | 10. Piezo crystal       | 15. Thermocouple Connection |

Functional diagrams BM 733



(Fig 3)

## REMOVING PANELS



**1) GRATE**

Lift up and out.

**2) HEARTH**

Lift up and out.

**3) FASCIA FRONT**

Remove four screws, two are just in from the sides at the top, and two at the bottom left and right. Lift the fascia up and out.

**3a) BOTTOM FASCIA STRIP**

(Not shown) This part may be fitted along the base of a regular three-sided fascia to give a “picture frame” effect. When the fascia front is removed you will see where the bottom strip is fitted using two screws.

**4) TOP LOUVRE #1 (Top)**

Slides out.

**5) TOP LOUVRE #2 (Bottom)**

Remove 2 screws and slide off.

**6) BOTTOM CONTROL AND GRILL**

Remove 2 screws and lift out.

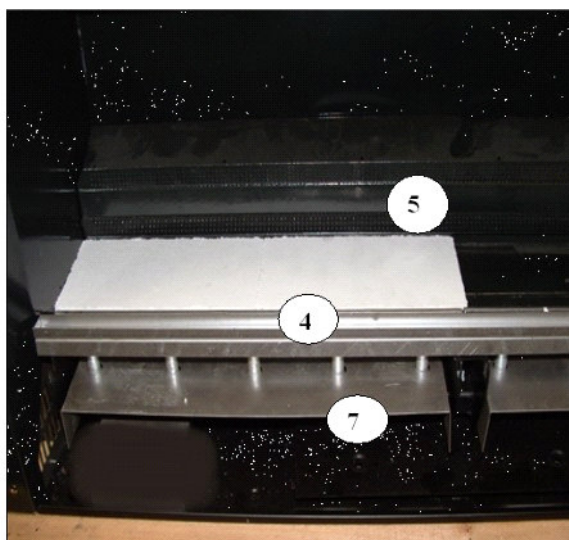
**7) COWL TOP FRONT**

Remove 2 screws and slide out. This will give access to flue spigot (visible when fascia is removed).

## **REMOVING PARTS FOR SERVICE**

**(FIRST TURN OFF GAS AND POWER)**

- 1) **Coals, Logs** = Remove with care.
- 2) **Grate** = Lift out.
- 3) **Hearth** = Lift up and out.
- 4) **Front Tray** = Remove screw from centre hole and lift out.
- 5) **Rear Tray** = Remove screw from right and left side, lift out.
- 6) **Burners** = Lift out.
- 7) **Manifold Baffle** = Lift out (left and right baffles)



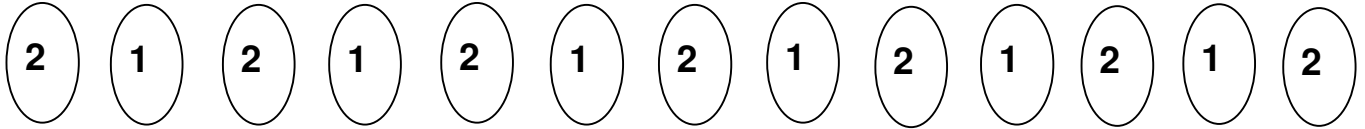
## **SETTING THE FIRE**

- 1) **Replace all panels and grate.**
- 2) **Check for Gas Ignition, operation of flame and fan before setting the fire.**
- 3) **Follow layout (see following pages) for setting of the fire.**
- 4) **Re-check gas ignition, control operation, etc as in #2 above.**

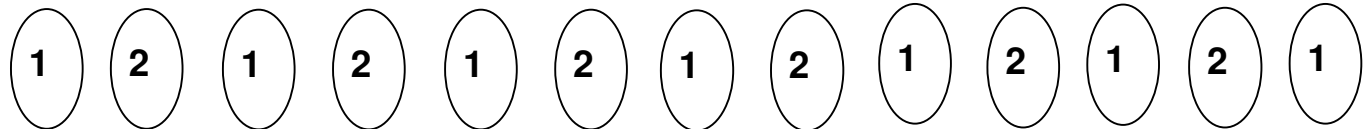
# LAYOUT FOR COALS: ALL MODELS

Layout shown is for the 930 model using 13 coals per row. The 730 model uses 10 coals per row, the 630 uses 8 coals per row (layout as shown below, from left to right). Coals are numbered on the base.

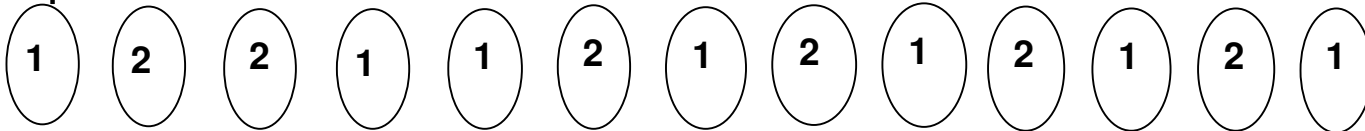
**Bottom Rear Row:**



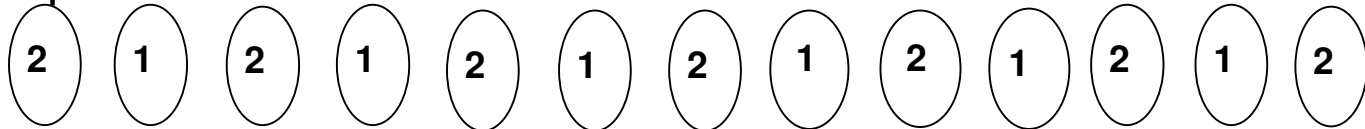
**Bottom Front Row:**



**Top Rear Row:**



**Top Front Row:**



**930 = 26 x No1 Coals  
26 x No2 Coals  
(4 rows of 13)**



**730 = 20 x No1 Coals  
20 x No2 Coals  
(4 rows of 10)**



**630 = 16 x No1 Coals  
16 x No2 Coals  
(4 rows of 8)**

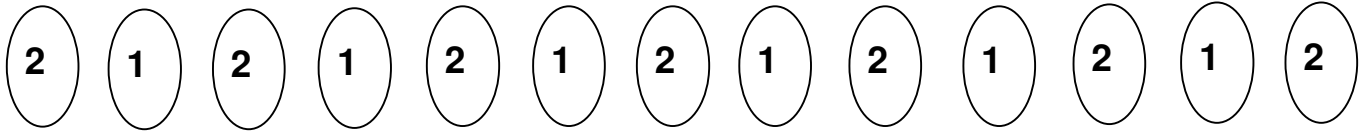


# LAYOUT FOR COALS & LOGS

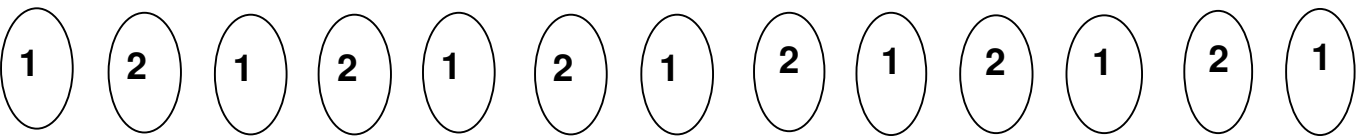
**Coals**    **930: 13 x No1**    **730: 10 x No1**    **630: 8 x No1**  
    **13 x No2**     **10 x No2**     **8 x No2**

Layout shown is for the 930 model using 13 coals per row. The 730 model uses 10 coals per row, the 630 uses 8 coals per row (layout as shown below, from left to right). Coals are numbered on the base.

**Rear Row**



**Front Row**



**Logs** Refer photos below

**630**    **1 x B**    **1 x C**    **1 x D**  
**730**    **1 x B**    **2 x C**    **1 x D**  
**930**    **2 x B**    **2 x C**    **2 x D**



## Commissioning and Operating

When installed the installer should operate the YUNCA ALLURE to ensure that all features are operating correctly, refer below.

### Turning on your manual control YUNCA ALLURE

The markings mentioned below are imprinted on the Control Panel Grill and are visible when the hearth panel is lifted out (NB. You do not need to remove the hearth panel to light the fire). Some models may have a black box behind the control panel grill with similar markings, however the method of lighting is the same.



1. Push the control knob fully in and turn anti-clockwise (left) to the “Ignition” position (you will feel a slight resistance), hold in for 5-15 seconds.
2. Continuing to hold it in, turn the knob further anti-clockwise to pilot mark (you will hear a click).
3. When the pilot is lit, continue holding in the knob for about 20 seconds to allow safety thermocouple to heat up. *Slowly* release the knob and pilot flame should remain lit. If it goes out repeat steps 1 - 3.
4. The control knob can now be turned further anti-clockwise (left) to the ON position to fully light the fire. Adjust flame height and heat output as required.
5. Adjust **Fan speed** switch to achieve the optimum speed: High – switch up, Low – switch down, Off – switch centred. Yunca recommends the use of the fan boost to achieve more efficient gas use.

#### Turning off

1. Turn control knob clockwise to the off position.
2. Turn fan switch to off position (centred).

### Appendix A Fault Finding:

SYMPTOM	PROBLEM	CORRECTIVE ACTION
Excessive flue noise	Gap between flue and liner too large	Reduce to size stated on installation drawing page 6 or 7 – Item 11
Will not light	No spark at pilot burner.	Check connection between electrode in pilot assembly and lead from control
	Poor or no spark	Clean any build up (Carbon) on or around the Spark electrode. Tracking of spark along spark electrode lead. Replace the spark electrode Damaged spark electrode lead, Replace
	No gas at pilot burner	Check that isolating valves are turned on and gas is available. Clean the gas ways of soot or foreign particles. Check pilot hood for blockage Remove pilot jet and blow clean. Check for any obstructions in the gas line that may cause low pressure or restrict flow. Purge gas lines.

## Fault Finding continued:

SYMPTOM	PROBLEM	CORRECTIVE ACTION
	Sparks but the length is incorrect.	Spark gap should be 3-4mm between the electrode and the pilot flame hood outlet.
	No Supply Gas.	LPG -- Refill tank Natural -- Check with gas supplier
Pilot will not stay lit	Weak or improperly located pilot flame.	Adjust the height of Flame Rod. The flame should engulf the top 6mm of the thermocouple. Check for carbon at pilot causing a short.
	Filter not sitting in correct position	Reposition.
Soot is being deposited on coals or logs	Coals impinging the flames	Re-position coals back against the stops Remove any protruding point on the log.
	There is insufficient secondary air in the combustion chamber.	Check the back of the Fire for blockages around the air intake slots. Check that the clearances around the appliance match those stated in this manual .
	Flueway blocked	Remove blockage. Check cowl
	LPG gas mix incorrect	Contact supplier to clean out bottle
	Flame Height very large or very low.	Check gas inlet pressure and running pressure Check and set gas pressure to manufacturers specifications.
Main burners extinguishing.	Flue down draughting.	This is caused by a vacuum in the room. Turn off fire. Turn off all air conditioners, expelair fans, other heaters etc. Check air vents are in place to equalise internal air pressure. Re-light fire.
	Pilot flame is not large enough.	Check that pilot assembly is correctly mounted and that the pilot burner flame hood directs the pilot flame over burners and flame rod.
	Severe down draught.	Ensure a recommended flue cowl has been fitted and is still in place.
Pilot burning, no gas to burners	Burner injectors may be blocked.	Clean out injector orifice.



<b>Appendix B: PART NUMBER</b>	<b>Yunca ALLURE Spare Parts: NAME</b>
	BM733 Control Valve
6505	Pilot Assembly
6500L	Pilot Jet LPG 0.23 dia
6500N	Pilot Jet NAT 0.35 dia
	Pilot Pipe (630)
	Pilot Pipe (730)
	Pilot Pipe (930)
6601GO	Burner (630: 4 Injectors. 730, 930: 5 Injectors)
6599GOA	Injector 0.8 LPG
6599GOB	Injector 0.7 LPG
6599GOW	Injector Washer
	Injector 1.3 NAT
6599GOC	Injector 1.2 NAT
	Burner Pipe
6791GO9	930 Manifold Assembly- ( No Jets )
6791GO7	730 Manifold Assembly- ( No Jets )
6791GO6	630 Manifold Assembly- ( No Jets )
6624GO	Fan Assembly
	Main Gas Pipe
	NAT Burner Plug Insert
6950A1	Coal No 1
6950A2	Coal No 2
6950B	Log B
6950C	Log C
6950D	Log D
	Duroboard
6955GO6	Rear Tray (630)
6956GO6	Front Tray (630)
6958GO6L	Manifold Baffle Left hand Side (630)
6958GO6R	Manifold Baffle Right Hand Side (630)
6955GO7	Rear Tray (730)
6956GO7	Front Tray (730)
6958GO7L	Manifold Baffle Left hand Side (730)
6958GO7R	Manifold Baffle Right Hand Side (730)
6955GO9	Rear Tray (930)
6956GO9	Front Tray (930)
6958GO9L	Manifold Baffle Left hand Side (930)
6958GO9R	Manifold Baffle Right Hand Side (930)
6904GO9T	930 Grate - Traditional
6904GO7T	730 Grate - Traditional
6904GO6T	630 Grate - Traditional
6904GO9C	930Grate - Contemporary
6904GO7C	730 Grate - Contemporary
6904GO6C	630 Grate - Contemporary

Appendix B: Yunca Allure – Spare parts continued:

**630 model LPG MAIN JETS:**

<b>1</b>	<b>2</b>	<b>3</b>	<b>4</b>	<b>5</b>
<b>0.8</b>	<b>0.8</b>	<b>0.8</b>	<b>0.8</b>	<b>0.8</b>

**630 Model Natural Main Jets: ALL 1.3 mm dia.**

**730 model LPG MAIN JETS:**

<b>1</b>	<b>2</b>	<b>3</b>	<b>4</b>	<b>5</b>	<b>6</b>	<b>7</b>	<b>8</b>
<b>0.7</b>	<b>0.7</b>	<b>0.8</b>	<b>0.8</b>	<b>0.8</b>	<b>0.8</b>	<b>0.7</b>	<b>0.7</b>

**730 model Natural Main Jets: ALL 1.2 mm dia.**

**930 model LPG MAIN JETS:**

<b>1</b>	<b>2</b>	<b>3</b>	<b>4</b>	<b>5</b>	<b>6</b>	<b>7</b>	<b>8</b>	<b>9</b>	<b>10</b>
<b>0.6</b>	<b>0.7</b>	<b>0.7</b>	<b>0.8</b>	<b>0.8</b>	<b>0.8</b>	<b>0.8</b>	<b>0.7</b>	<b>0.7</b>	<b>0.6</b>

**930 model Natural Main Jets ALL 1.2 mm dia.**

**Fascia Panels**

Should you require replacement fascia panels, please also supply the measurements as there have been some design changes over time.

<b>Name</b>	<b>Stainless Steel</b>	<b>Gunmetal Black</b>	<b>Silver</b>
Fascia Front (three sides)			
Fascia Front (bottom strip only – i.e. “picture frame”)			
Control Panel			
Control Panel Grill			
Hearth			
Top Louvre #1 (at top)			
Top Louvre #2 (at bottom)			

## APPENDIX C: Warranty:

A limited Five-Year Warranty covers the Yunca Allure Manual Control Gas Open Fire against defects in materials and workmanship.

Painted surface coatings and all gas and electrical components including burners, pilot assembly, tubing, fan and switches are **warranted for a period of one year from date of purchase.**

Damage caused by neglect, improper use, acts of god, theft, or any other indirect, incidental cause are not covered by this warranty.

**The Yunca Allure Manual Control – INDOOR series is intended for INDOOR USE ONLY.**

The warranty will not cover use in outdoor situations.

If you are in any doubt please contact the manufacturer: Yunca Gas, Dunedin 03 488 4342

**This warranty is void if the recommended service schedule is not implemented as suggested in this manual and carried out by a suitably qualified person.**

Limitations of Liabilities:

Yunca Heating hereby waives any liability for incidental and consequential damage directly or indirectly sustained, or for any loss caused by the application of this product not in accordance with the current printed instructions.

Our liability is expressly limited to replacement of defective goods as per above warranty. Any claim shall be deemed waived unless made in writing to Yunca within 30 days from the date that it was or reasonably should have been discovered.

-----  
Please complete the warranty registration forms on the back page THEN carefully cut along here and return the manufacturers' copy within 10 days of purchase.

## **CUSTOMER COPY**

### **YUNCA ALLURE INDOOR (MANUAL CONTROL) WARRANTY REGISTRATION:**

**Serial/Model No.** \_\_\_\_\_ **Gas Type** LPG / NAT

**Purchasers' Name.** \_\_\_\_\_ **Purchase Date** \_\_\_\_\_

**Purchasers' Address** \_\_\_\_\_

**City.** \_\_\_\_\_ **Postcode** \_\_\_\_\_ **Telephone** \_\_\_\_\_

**Where Purchased.** \_\_\_\_\_

**Installed By.** \_\_\_\_\_ **Date.** \_\_\_\_\_

Manufactured by:  
Yunca Gas Dunedin  
PO Box 500  
DUNEDIN 9054  
Telephone (03) 488 4342  
Email yuncagas@southnet.co.nz

Cut here and return

## **MANUFACTURER COPY**

**This section must be returned within 10 days of purchase.**

### **YUNCA ALLURE INDOOR (MANUAL CONTROL) WARRANTY REGISTRATION:**

**Serial/Model No.** \_\_\_\_\_ **Gas Type** LPG / NAT

**Purchasers' Name.** \_\_\_\_\_ **Purchase Date** \_\_\_\_\_

**Purchasers' Address** \_\_\_\_\_

**City.** \_\_\_\_\_ **Postcode** \_\_\_\_\_ **Telephone** \_\_\_\_\_

**Where Purchased.** \_\_\_\_\_

**Installed By.** \_\_\_\_\_ **Date.** \_\_\_\_\_

Send this section to  
Yunca Heating & Gas  
PO Box 932  
Invercargill 9840