



YUNCA RESEARCH

A division of Terry Young Ltd.

MARCH 1996

INSTALLATION INSTRUCTIONS MULTIFUEL FREESTANDING TESTED TO NZS 7421-1990

- A. Manufacturer recommends all installations be carried out by competent trades persons. e.g (Space Heater Installer) to obtain maximum performance and maintenance free heating.
- B. A permit is normally required and we suggest you check with your local building inspectors as by-laws can vary from area to area. Also notify your Insurance Company that a space heater has been installed.
- C. Hearth-
 - 1. Must extend at least 300mm in front of heater loading aperture.
 - 2. Must extend at least 100mm on each side of heater.
 - 3. Spill hearth must be constructed of non-combustible material.
E.g. Slate, quarry tile, ceramic tile

D. Manufacturers recommend minimum clearances from combustible walls.

COAL RESEARCH tested to NZS 7421-1990	
Rear Clearance (with YUNCA flue guard fitted)	150mm
Side Clearance (with YUNCA flue guard fitted)	250mm
Rear Clearance (with 1/2 round flue guard fitted)	200mm
Side Clearance (with 1/2 round flue guard fitted)	250mm
Corner Clearance (with flue guard fitted)	50mm
Corner Clearance (with 1/2 round flue guard fitted)	50mm

E. FLUE KIT

- 1. 3.6 m x 150 mm stainless steel flue
- 2. 1 x weather cap & cowl
- 3. 2 x 900 mm 250mm galvanised liner
- 4. 2 x spider brackets
- 5. 1 x ceiling tile
- 6. 1 x secondary shield

NOTE: All joints must be sealed with flue sealing compound and screwed or riveted together, including the first length of flue being screwed to flue spigot.

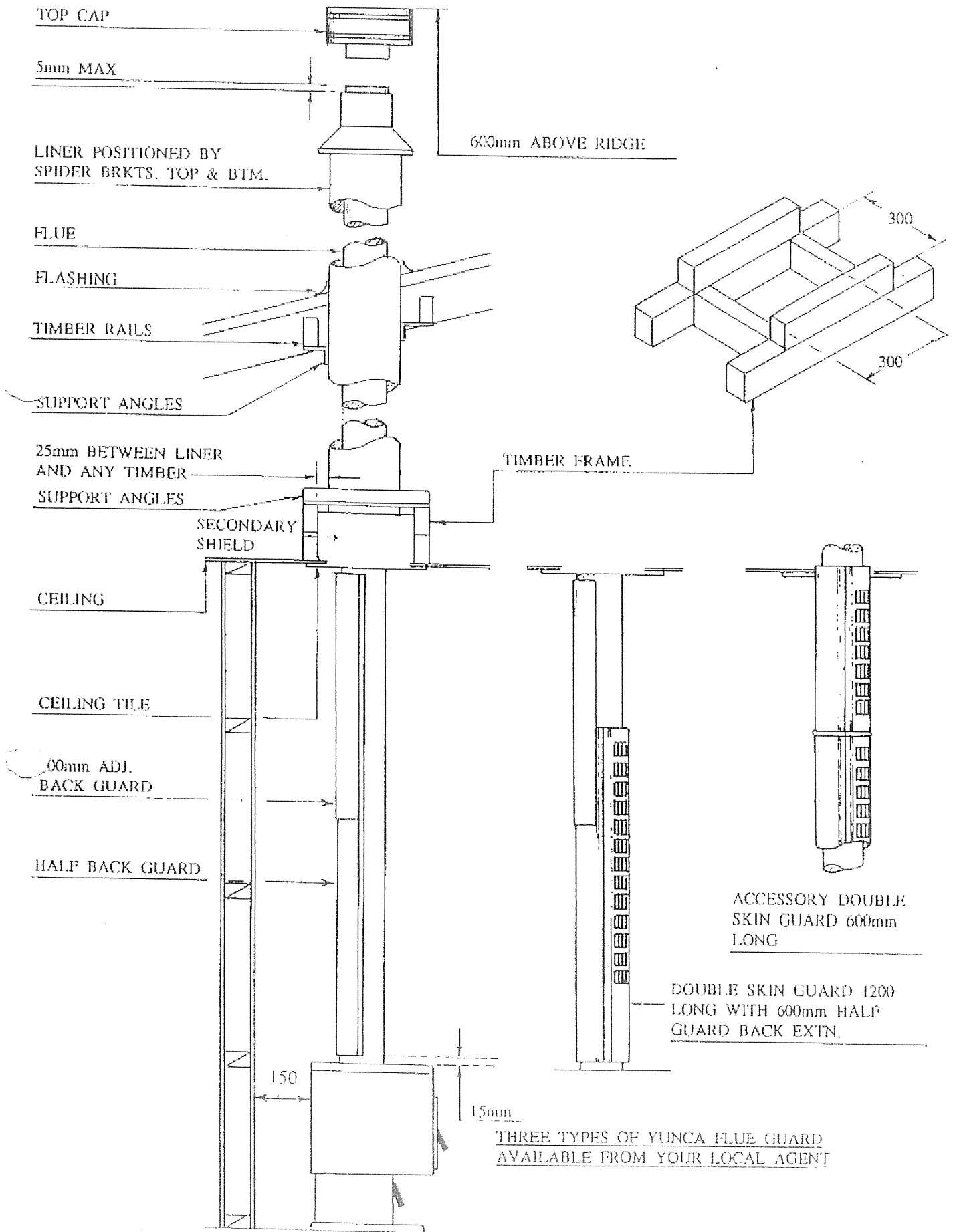
F. HALF ROUND GUARD KIT

- 1. 1200mm stainless steel back
- 2. 900mm stainless steel back

G. YUNCA FLUE GUARD KIT (Accessory kits also available)

- 1. 1 x 1200mm length back guard
- 2. 1 x 1200mm perf. front guard
- 3. 1 x 900mm back guard

TYPICAL FLUE INSTALLATION



THREE TYPES OF YUNCA FLUE GUARD AVAILABLE FROM YOUR LOCAL AGENT

FIG. 1 WATER BOOSTER CONNECTIONS

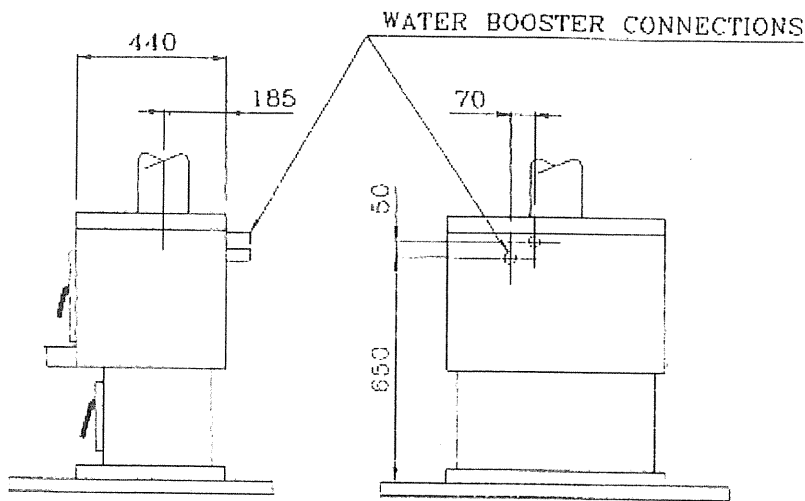


FIG. 2 FRONT VIEW

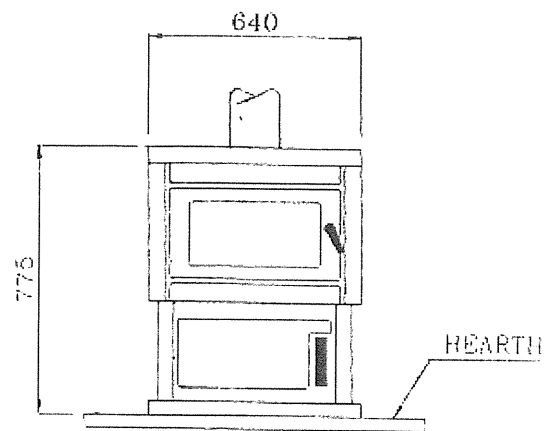


FIG. 3 COMBUSTIBLE WALL
(Clearances shown with YUNCA flue guard fitted)

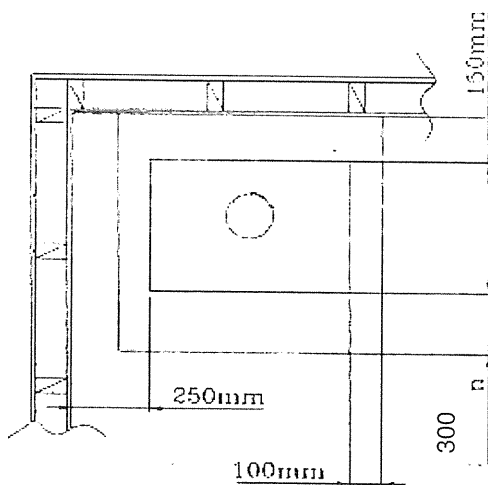
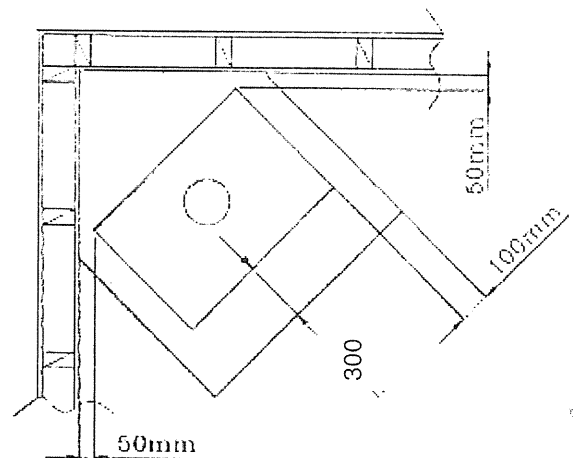
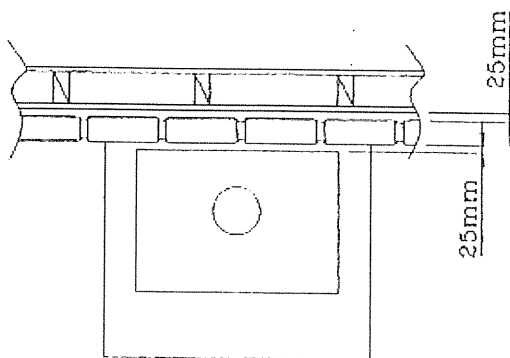


FIG. 4 COMBUSTIBLE WALL
(Clearances shown with YUNCA flue guard fitted)



Note:- Rear clearance with ½ round flue guard should be 200mm.

FIG 5 BRICK WALL (Clearances shown with YUNCA flue guard fitted)



BRICK LINING FROM FLOOR TO WITHIN 25mm CEILING, LEAVING AIR VENTS AT BOTTOM TO ALLOW AIR FLOW IN THE CAVITY. FULL HEIGHT BRICK SCREEN IS REQUIRED TO BE ON A CONCRETE OR MASONRY FOUNDATION TAKEN TO SOLID BEARING.

SEISMIC RESTRAINT

NOTE: Secure base to hearth, with 8mm dynabolts or Similar. Follow local council's specifications.

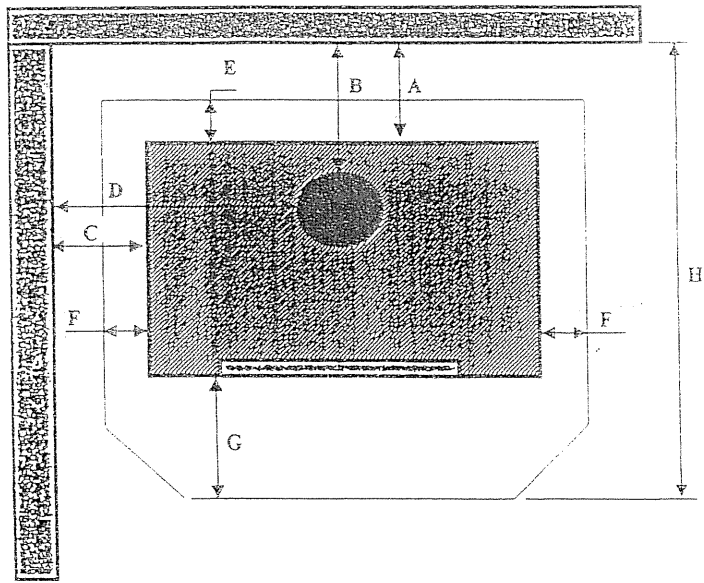


Fig 1

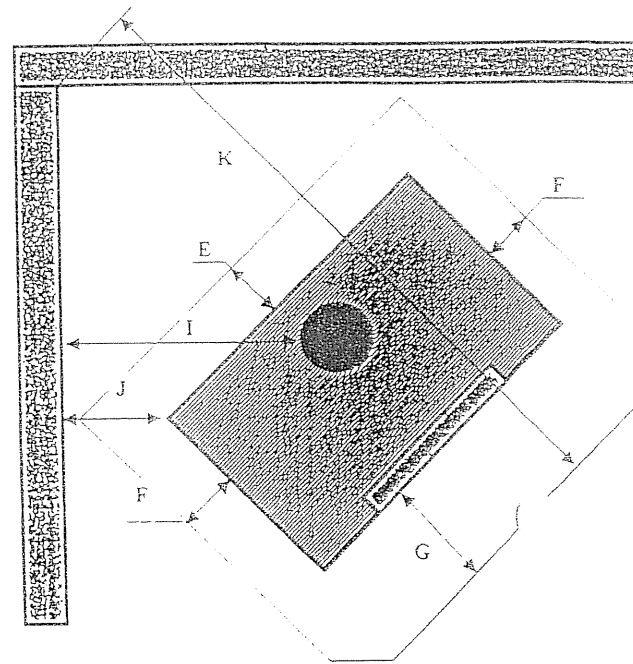


Fig 2

Figure 1-2, Minimum allowable distances to combustibles for free standing appliances in accordance with NZS 7421: 1990 section 305 (dimensions in mm).

A	B	C	D	E	F	G	H	I	J	K	Hearth Thickness	Flue Diameter	Flue Shield	
250	350	220	465	0	90	380	1070	374	120	1275	37	150	None	○
170	270	210	455	0	90	380	990	334	80	1219	37	150	Half Shield	◐
160	260	210	455	0	90	380	980	314	60	1191	37	150	Double Skin Shield	◑