



YUNCA

A division of Terry Young Ltd.

QEWB2000

February 2003

INSTALLATION INSTRUCTIONS **QEWB** 2000 FREESTANDING WOOD BURNER AND MULTIFUEL TESTED TO NZS 7421-1990

- A. Manufacturer recommends all installations be carried out by competent trades persons. e.g. (Space Heater Installer) to obtain maximum performance and maintenance free heating.
- B. A permit is normally required and we suggest you check with your local building inspectors as by-laws can vary from area to area. Also notify your Insurance Company that a space heater has been installed.
- C. Hearth-
1. Must extend at least 300mm Multi Fuel (200mm Wood) in front of heater Door.
 2. Must extend at least 100mm on each side of heater.
 3. Spill Ash hearth must be constructed of non-combustible material.
- D. Manufacturers recommend minimum clearances from combustible walls.

COAL RESEARCH tested to NZS 7421-1990	Multi-Fuel	Wood
Rear Clearance (with YUNCA flue guard fitted)	220mm	*100mm
Side Clearance (with YUNCA flue guard fitted)	500mm	*200mm
Rear Clearance (with ½ round flue guard fitted)	250mm	*150mm
Side Clearance (with ½ round flue guard fitted)	500mm	*200mm
Corner Clearance (with YUNCA flue guard fitted)	100mm	*40mm
Corner Clearance (with ½ round flue guard fitted)	100mm	*40mm

* ADDITIONAL QEWB 2000 WOOD FIRE HEAT SHIELD REQUIRED

E. FLUE KIT

1. 3.6 m x 150 mm stainless steel flue
2. 1 x weather cap & cowl
3. 2 x 900 mm 250mm galvanised liner
4. 2 x spider brackets
5. 1 x ceiling tile
6. 1 x secondary shield

Wood Fire Only Requires: Qewb 2000 Wood Fire Heat Shield and Brackets.

NOTE: All joints must be sealed with flue sealing compound & screwed or riveted together, including the first length of flue being screwed to flue spigot.

F. HALF ROUND GUARD KIT

1. 1200mm stainless steel back
2. 900mm stainless steel back

G. YUNCA FLUE GUARD KIT (Accessory kits also available)

1. 1 x 1200mm length back guard
2. 1 x 1200mm perf. front guard
3. 1 x 900mm back guard

TYPICAL FLUE INSTALLATION

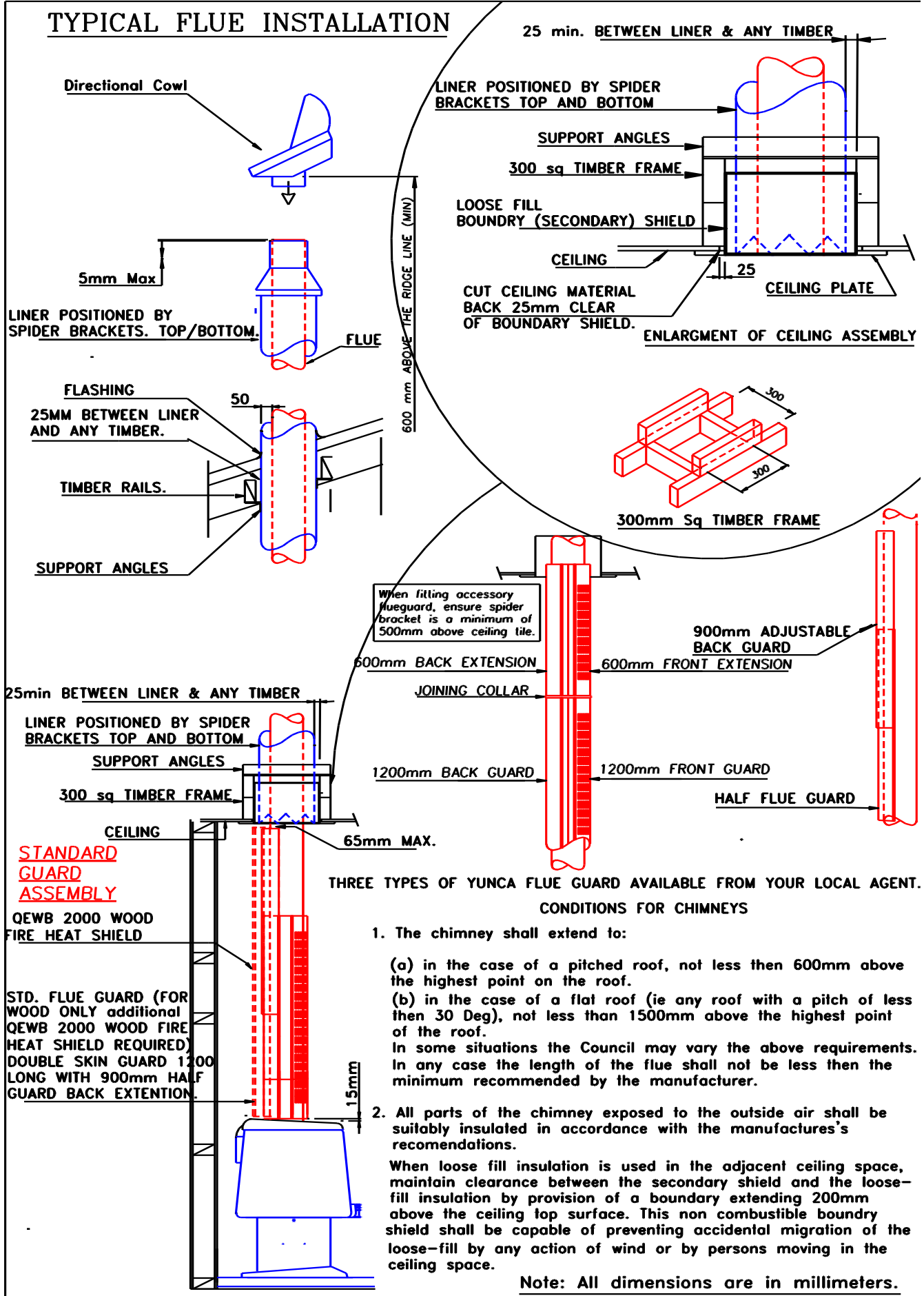


Fig 1. Front View.

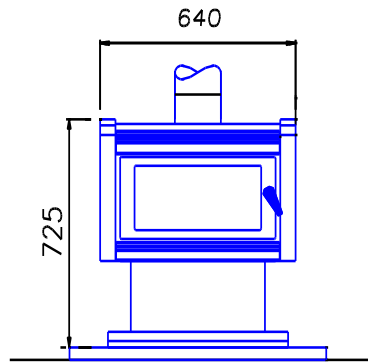


Fig 2. Water Booster connection.

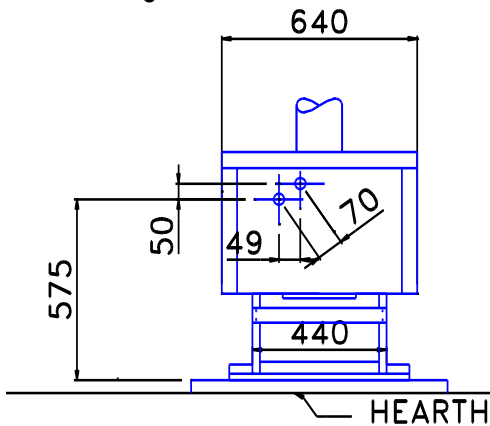


Fig 3.

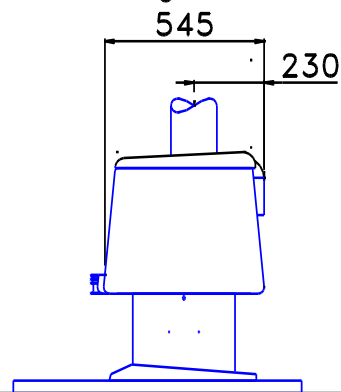
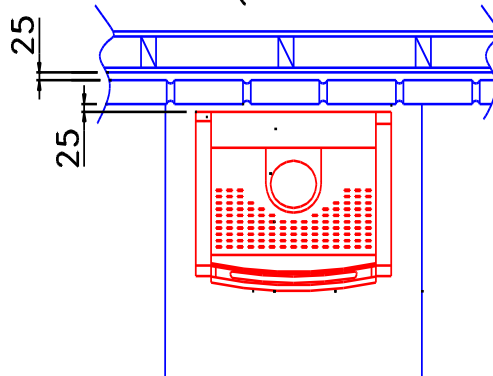


Fig 4. BRICK WALL (WITH STD. FLUE GUARD FITTED).



Brick lining from floor to within 25mm of ceiling leaving air vents at bottom to allow air flow in the Cavity. Full height brick screen is required to be on a concrete or masonry foundation taken to solid bearing.

SEISMIC RESTRAINT

Secure base to hearth with 8mm Dynabolts or similar.

FOLLOW LOCAL COUNCIL'S SPECIFICATIONS.

ASH HEARTH.

WOOD MIN. 840mm x 840mm wide with Flue Guard and Qewb 2000 Wood Fire Heat Shield

MULTI-FUEL MIN. 1045mm x 840mm wide with Flue Guard.

Fig 5. Combustible Wall.

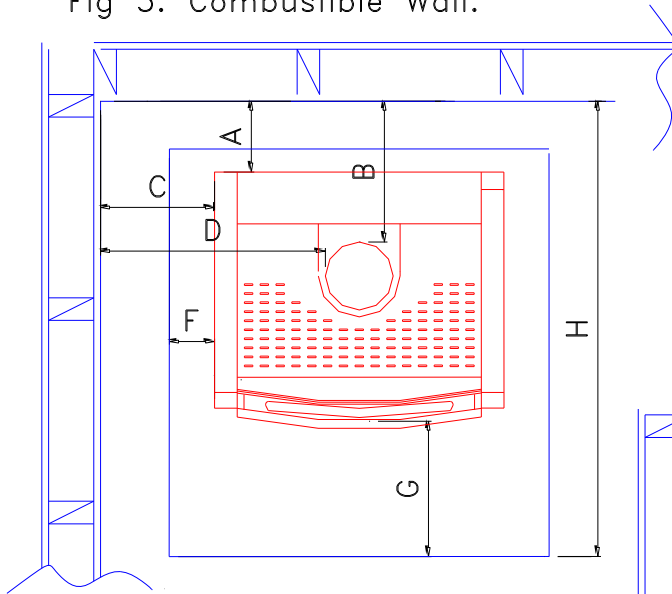
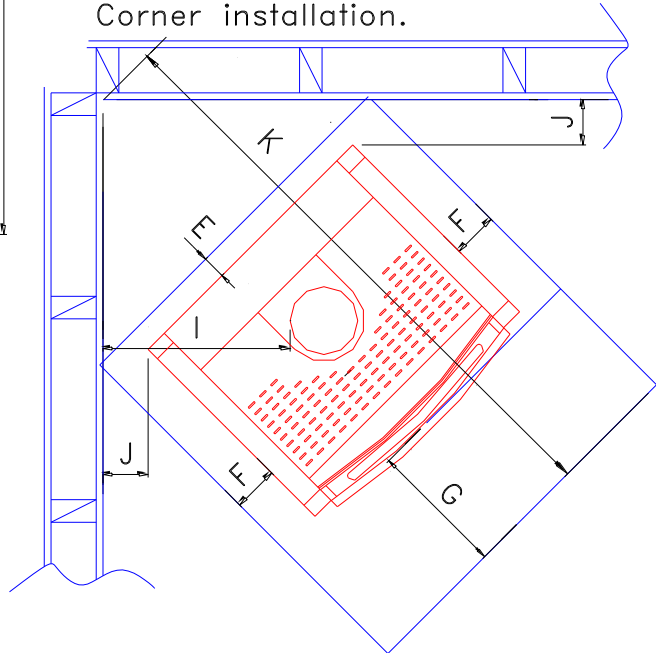


Fig 6. Combustible Wall Corner installation.



All Dimensions in mm.

Multi-Fuel

MINIMUM COMBUSTION WALL CLEARANCES WITH STANDARD FLUE GUARD

	A	B	C	D	E	F	G	H	I	J	K
M/Fuel	220	375	500	745	0	100	300	1065	420	100	1310

MINIMUM COMBUSTIBLE WALL CLEARANCES WITH HALF ROUND FLUE GUARD

M/Fuel	250	425	500	745	0	100	300	1115	420	100	1310
--------	-----	-----	-----	-----	---	-----	-----	------	-----	-----	------

MINIMUM COMBUSTIBLE WALL CLEARANCES WITH NO FLUE GUARD

M/Fuel	370	525	600	845	0	150	300	1215	470	150	1375
--------	-----	-----	-----	-----	---	-----	-----	------	-----	-----	------

Wood Fire

MINIMUM COMBUSTION WALL CLEARANCES WITH STANDARD FLUE GUARD with QEWB 2000 WOOD FIRE HEAT SHIELD

	A	B	C	D	E	F	G	H	I	J	K
Wood	100	255	200	445	0	100	200	845	360	40	1125

MINIMUM COMBUSTIBLE WALL CLEARANCES WITH HALF ROUND FLUE GUARD

Wood	150	305	200	445	0	100	200	845	360	40	1125
------	-----	-----	-----	-----	---	-----	-----	-----	-----	----	------

MINIMUM COMBUSTIBLE WALL CLEARANCES WITH NO FLUE GUARD

Wood	250	505	300	545	0	150	200	845	410	90	1195
------	-----	-----	-----	-----	---	-----	-----	-----	-----	----	------