



YUNCA

A division of Terry Young Ltd., New Zealand

YUNCA
QEW3

Radiant

or

YUNCA
FOCUS

INSTALLATION INSTRUCTIONS WOODBURNER FREESTANDING TESTED to NZS 7421-1990

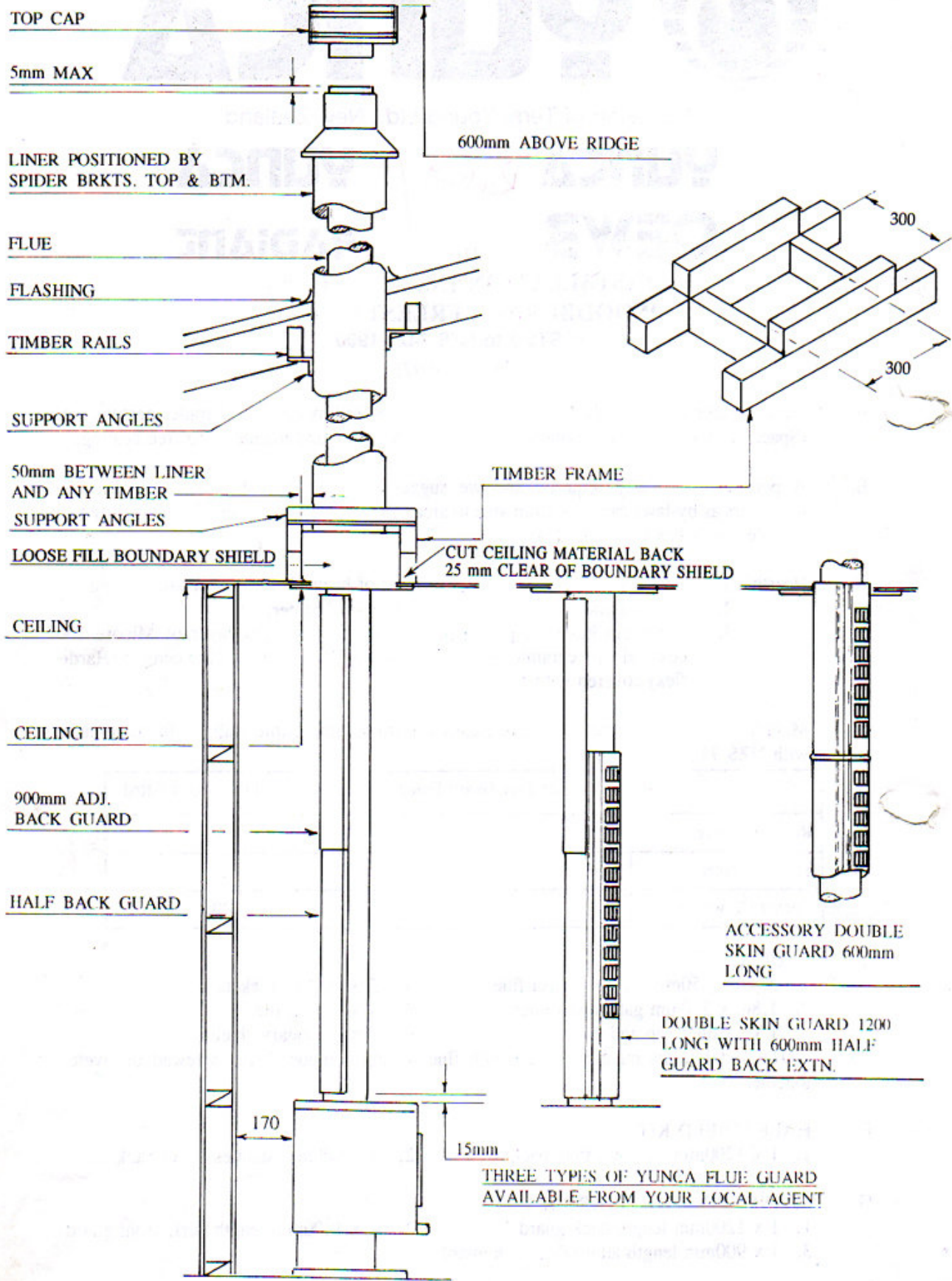
(January 1997)

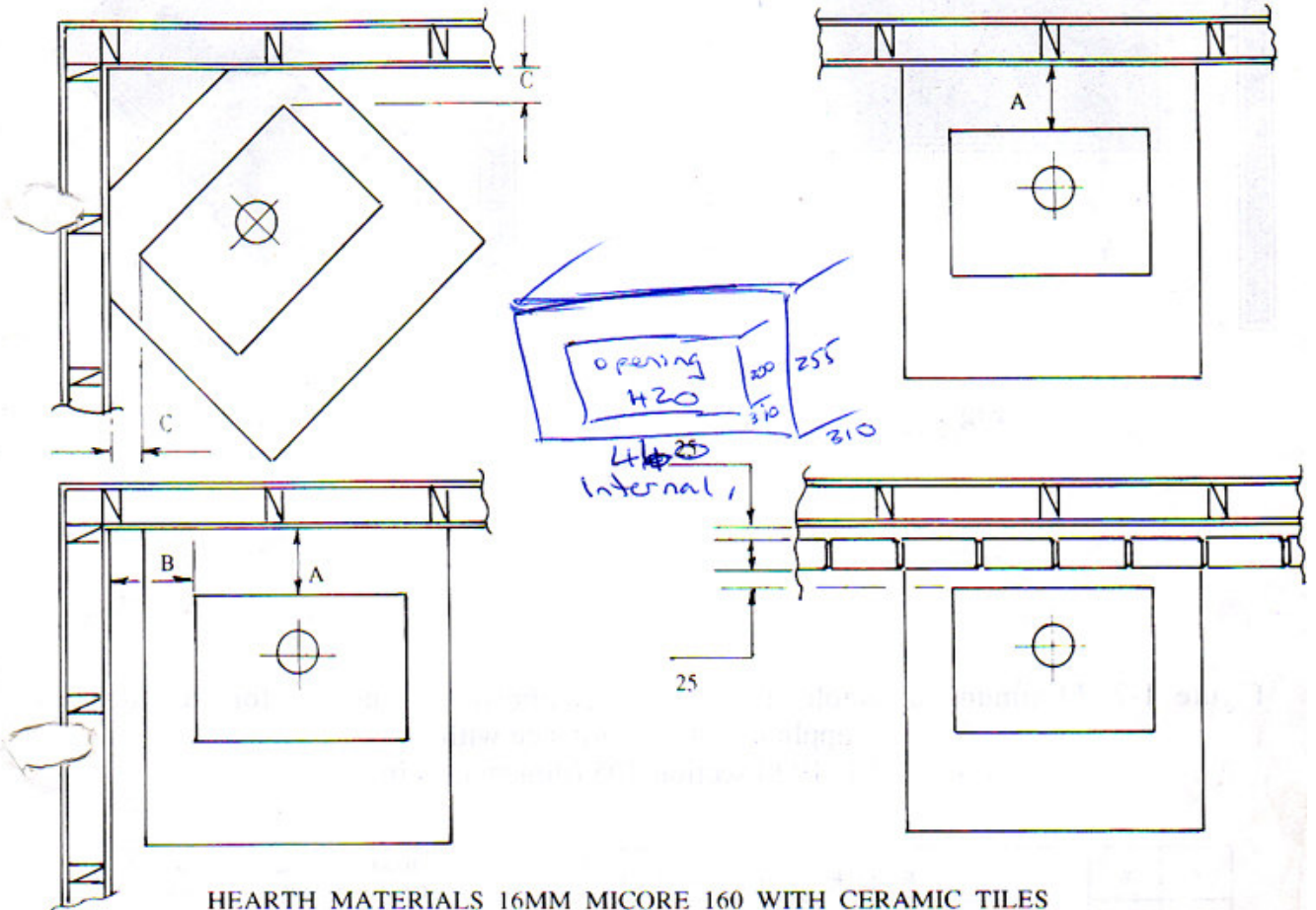
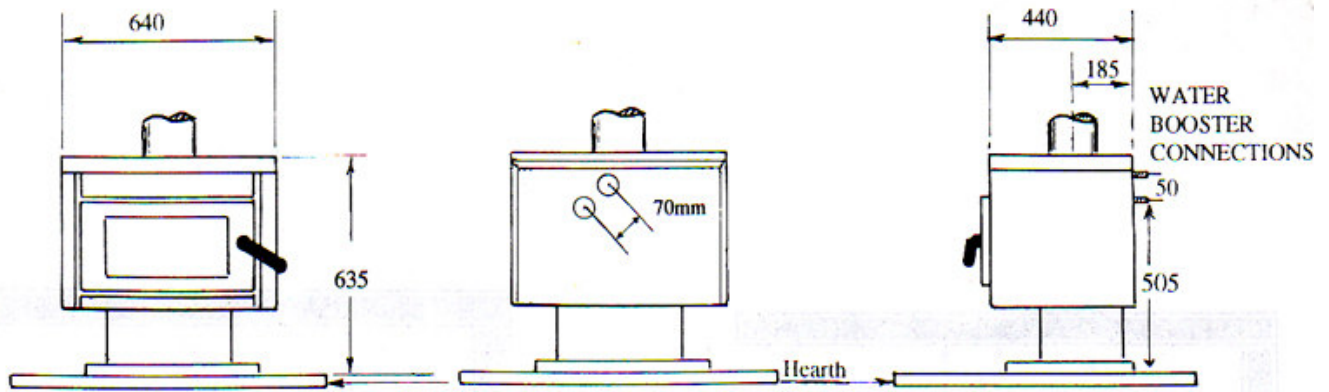
- A. Manufacturer recommends all installations be carried out by competent trades persons e.g. (Space Heater Installer) to obtain maximum performance and maintenance free heating.
- B. A permit is normally required and we suggest you check with your local building inspectors as by-laws can vary from area to area. Also notify your Insurance Company that a space heater has been installed.
- C. Hearth -
1. Must extend at least 300mm in front of heater loading aperture.
 2. Must extend at least 90mm on each side of heater.
 3. Minimum hearth requirements are: 1 x 16mm thick layer of Micore 160 covered with ceramic tiles. Alternatively: 14mm thick fibre cement (Hardi-flex) covered with ceramic tiles.
- D. Manufacturers recommend minimum clearances from combustible walls. In compliance with NZS 7421 1990.

	With Flue Guard Fitted	Without Flue Guard Fitted
Rear Clearance	170	250
Side Clearance	210	220
Corner Clearance	80	120

- E. **FLUE KIT**
1. 3.6m x 150mm stainless steel flue
 2. 1.8m x 250mm galvanised liner
 3. 1 x weather cap and cowl
 4. 2 x spider brackets
 5. 1 x ceiling tile
 6. 1 x secondary shield
- NOTE - All joints must be sealed with flue sealing compound and screwed or riveted together.
- F. **HALF SHIELD KIT**
1. 1 x 1200mm stainless steel back
 2. 1 x 900mm stainless steel back
- G. **STANDARD FLUE GUARD KIT**
1. 1 x 1200mm length back guard
 2. 1 x 1200mm length perf. front guard
 3. 1 x 900mm length adjustable back guard

TYPICAL FLUE INSTALLATION





HEARTH MATERIALS 16MM MICORE 160 WITH CERAMIC TILES

COMBUSTIBLE WALL CLEARANCES

(With flue shield)

(Without flue shield)

A	170mm	250mm
B	210mm	220mm
C	80mm	120mm

BRICK LINING FROM FLOOR TO WITHIN 25mm OF CEILING, LEAVING AIR VENTS AT BOTTOM TO ALLOW AIR FLOW IN THE CAVITY. FULL HEIGHT BRICK SCREEN IS REQUIRED TO BE ON A CONCRETE OR MASONRY FOUNDATION TAKEN TO SOLID BEARING.

SEISMIC RESTRAINT

NOTE: Secure base to hearth, with 8mm dynabolts or similar. Follow local council's specifications.

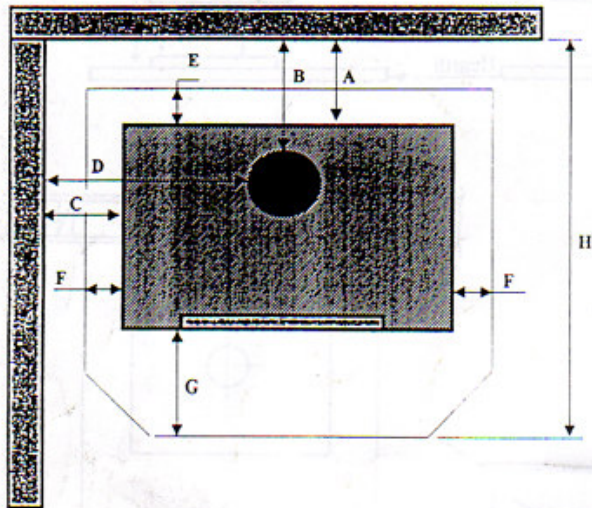


Fig 1

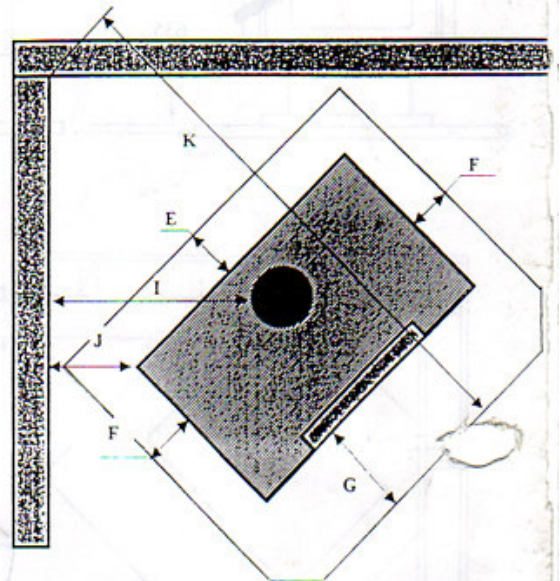


Fig 2

Figure 1-2, Minimum allowable distances to combustible materials for free standing appliances in accordance with NZS 7421: 1990 section 305 (dimensions in mm).

A	B	C	D	E	F	G	H	I	J	K	Hearth Thickness	Flue Diameter	Flue Shield	
250	350	220	465	0	90	300	1070	374	120	1275	37	150	None	○
170	270	210	455	0	90	300	990	334	80	1219	37	150	Half Shield	◐
160	260	210	455	0	90	300	980	314	60	1191	37	150	Double Skin Shield	◑