

INSTALLATION INSTRUCTIONS for **MULTI FUEL ZERO CLEARANCE* INBUILT**

JANUARY 1997 (revised July 2020) *

TESTED in compliance with NZS 7421-1990, and NMZ 7421-1985 CLAUSE 307-3

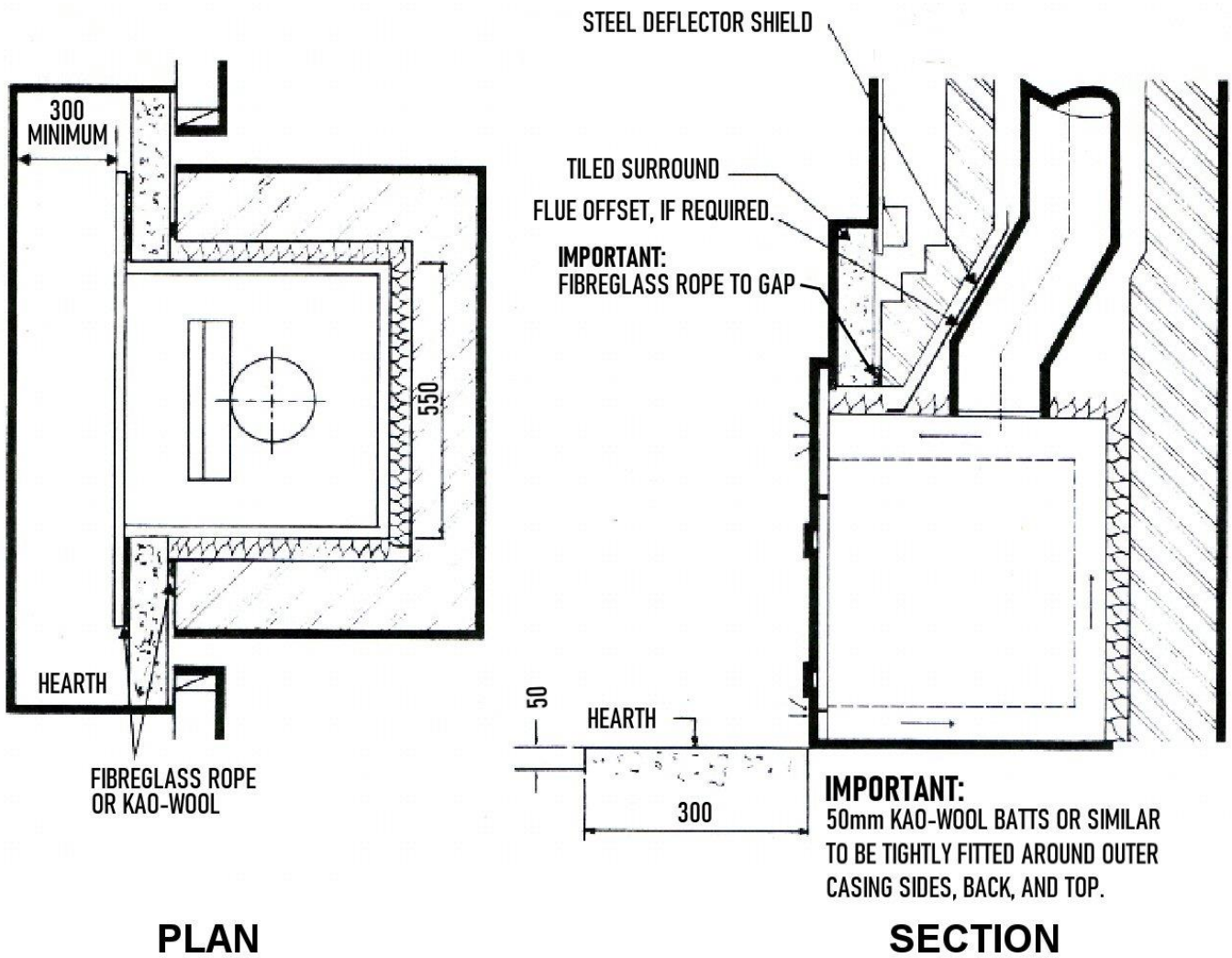
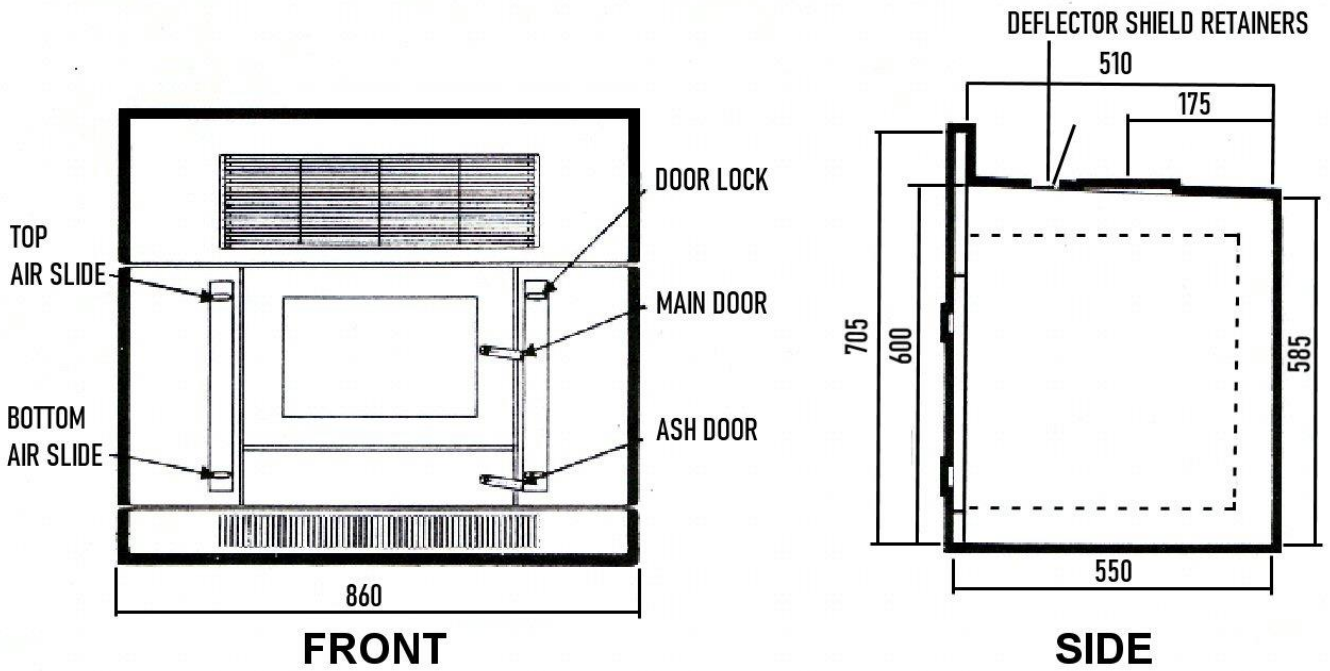
* The original testing was designed to cater for older homes with brick or pumice cement chimneys that incorporated brick open fires and had contact on the outer surfaces with timber framing and/or cladding. This also included for timber contact above the fire opening lintel. The term zero clearance as used with the old standard, NZS 7421:1990 Appendix J, referred in the main to the "zero" clearance contact with the outer timber framing / cladding with the outer surfaces of the brick fireplace cavity and chimney. **This same set of conditions does not apply to how zero clearance is used in today's language**, where inbuilt fires are installed into internal timber framed fireplace enclosures.

This appliance is suitable for masonry installations only.

- A. The manufacturer recommends all installations be carried out by competent trades persons (e.g. space heater installer) to obtain maximum performance and maintenance free heating.
- B. A permit is required and we suggest you check with your local building inspectors as by-laws vary from area to area. Also notify your insurance company that a space heater has been installed.
- C. **Hearth** –
 1. Must extend at least 300mm in front of the heater glass.
 2. Must extend at least 150mm either side of the heater
 3. Must be constructed of non-combustible materials giving heat resistance equal to concrete or brick at least 50mm thick.
- D. **Mantel** - A minimum of 600mm is required from the top of the fascia panel to any heat sensitive material.
- E. **Flue Kit** – 3.6m of 150mm dia stainless steel flue.
 - 1 x weather cap and cowl
 - 1 x steel deflector shield.
- F. **NOTE** -
 1. All joints must be sealed with flue sealing compound and screwed or riveted together.
 2. **IMPORTANT:** Pack Kao wool or similar around the firebox outer case and wire in place. Place kao wool (or similar) over the top of the firebox. (ref pg 2)
 3. Seal between fascia and fireplace. (ref page 2)
- G. **Waterbooster (Wetback)**. Holes may be pre-drilled in the rear of the fire box ready to knock out however these are not suitable for inbuilt installations (side entry may be better suited). The installer may drill at a C/L height of 352mm for the cold-in pipe, and at 422mm for the hot-out pipe.

This appliance is NOT clean air approved.

FIREPLACE APPLIANCE



These instructions, spare parts information, operation and maintenance guides, may be downloaded from www.yunca.co.nz

ASSEMBLY INSTRUCTIONS

1. Backing Panels (x 2)
2. Top Fascia Panel
3. LH Side Panel
4. RH Side Panel
5. Top Grill
6. Clip On Bottom Grill
7. Removable Top Panel

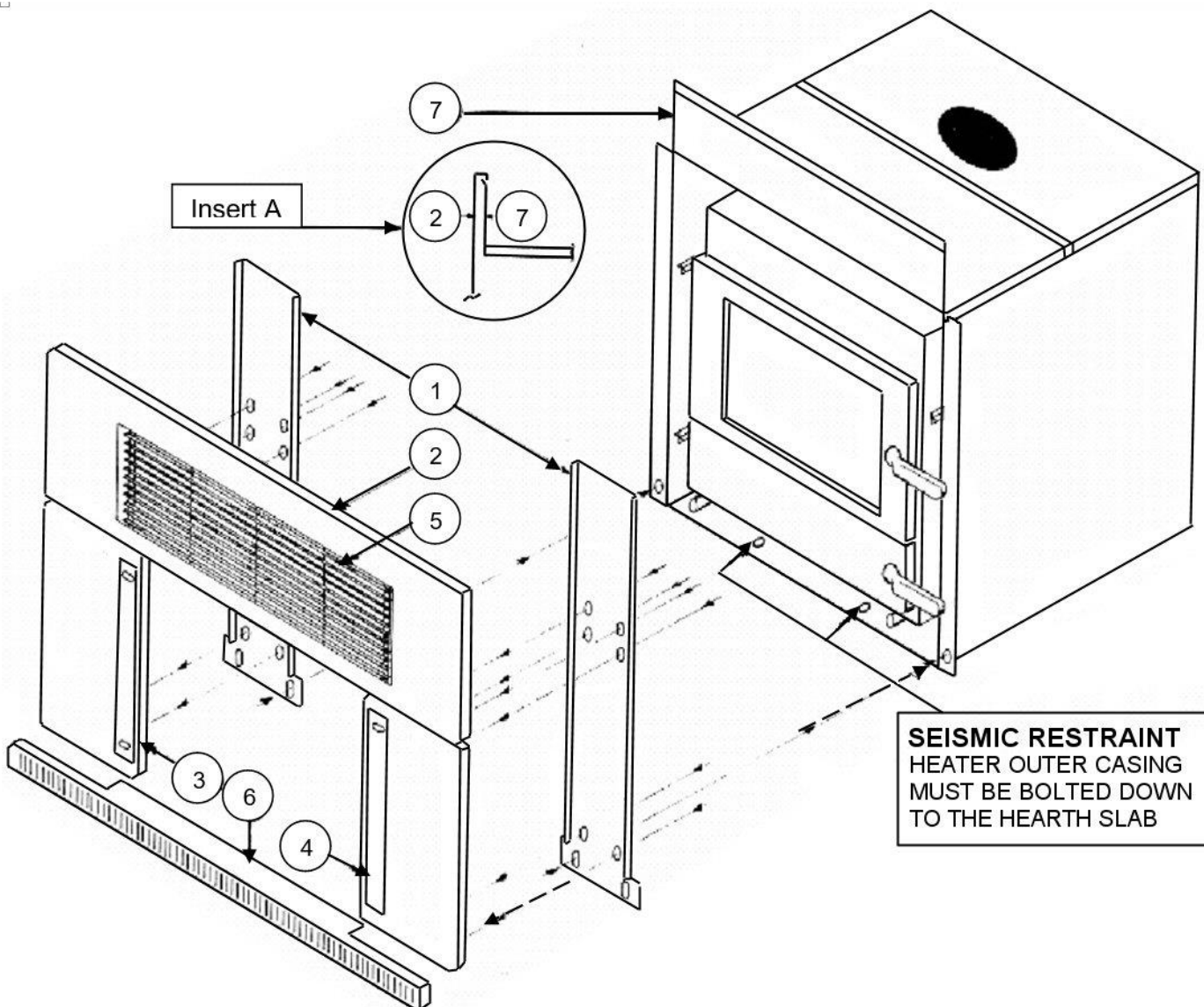
Note: Ensure top and bottom Control slides open and close fully

PANEL ASSEMBLY

N.B. All fixing is by No 8 x 12 screws

Fascia and side panels to be assembled together on a flat base, where panels cannot be damaged. (e.g. on carpet)

Fix panels 1 to 2, 3 & 4. Check alignment before tightening screws. Clip top of fascia panel over top removable panel (see inset A) and screw into place at bottom. Align panels to main door before tightening screws. Check opening doors clear left side panel. NOTE: Panels to be fitted after installation to avoid damage.



TYPICAL FLUE INSTALLATION

