



---

---

# NEW ZEALAND

---

---

THE ESSENCE OF ESSE

---

Everything we know about cooking and heating  
distilled into an iconic range of cook stoves.



# 3 WAYS TO COOK

ON ANY ESSE COOKER

ESSE

ESSE has been hand-building range cookers and stoves since 1854, with an absolute commitment to quality and performance. ESSE products have been relied upon in some of the world's most demanding environments – from the kitchens of the Savoy, the battlefields of Balaklava, the unforgiving wilds of the Antarctic Tundra, to the Houses of Parliament in London, through the harshest conditions in New Zealand and Australia, we are still building them to last.

We are ESSE Master Stove Maker Since 1854 and our products are designed and built with a care and attention-to-detail that has helped us to become the authority in stoves and range cookers. That's why we feel ESSE's should be showcased, sold and installed with the same diligence. We take great care in carefully selecting the retailers that make up our 'ESSE Specialist' network.

ESSE are proud to invest in exclusive training for our ESSE Specialists and we keep them continually abreast of all product developments. We actively encourage our ESSE Specialists to carry as many 'live' models as possible in their showrooms, so that you can see them in action and ask as many questions as you like, before selecting an ESSE to suit your lifestyle. We also offer a full technical and after sales backup service.

We actively support our hard working retailers wherever possible, and encourage customers to visit their local ESSE showrooms for the highest level of service.

ESSE offer a host of after sales service and technical support via our qualified retailers who each hold a wealth of knowledge and experience regarding the sale, installation and the operation of ESSE appliances.

#### 2 Year Warranty

ESSE products purchased through an ESSE Specialist will automatically be covered by our 2 year warranty.

#### 5 Year Warranty

If you purchased through an ESSE specialist and register your warranty with ESSE within 1 month of installation, we will extend your warranty for a further 3 years to a total of 5 years.

See website for Terms and Conditions



## DIRECT TO HOB

Sizzle, steam, toast, braise, boil and fry. An ESSE cast iron hotplate offers multiple cooking methods. A heavy based pan or griddle can be heated on the hob. Searing, chargrilling or toasting can take place directly on the hotplate, and the dome design of the ESSE bolster lids creates a steam environment.

Cast iron hotplates are graduated temperature surfaces with the most concentrated heat always centred above the firebox. Bakeheart and Warmheart incorporate a hob with removable cast iron rings ideal for cradling a round based pan or wok.



## OVER EMBERS

Savour the exceptional flavours of wood fired cooking. ESSE wood stoves include shelved firebricks and a rack for cooking in your firebox.

As your flame subsides to glowing embers, consider the wood fired flavours you can bring to your dishes. The glazed door allows sight of food during cooking.

You too can achieve that classic restaurant chargrill bar mark.



## ROAST IN THE OVEN

Maximise the energy created by your wood fired stove. For Ironheart and Bakeheart the heat generated in your firebox is transferred to an oven. The ovens are designed deeper than they are wide to minimise heat loss upon opening the oven door. This creates the perfect surround heat baking or roasting environment.

The oven incorporates an ESSE thermo-dial. With regulation of your fire you can cook at ESSE dial guide COOK (100-120°C) through to ESSE dial guide VERY HOT (260°C).

Variable shelf positions and the ability to cook direct to the oven floor grant further oven capacity and versatility.

---

THE

# IRONHEART FAMILY

---

The Ironheart family is our flagship range: encapsulating everything we know about cooking and heating in one beautifully simple stove.

These versatile wood fired cook stoves offer a large clear view of the flames in the firebox and provide a dependable source of heat and sustenance.

Its timeless design and simple styling reflect a state of the art piece of quality British engineering incorporating more than 160 years of ESSE cooking stove design and innovation.

Hand-made in Britain by a team of dedicated craftsmen with decades of experience, Ironheart cook stoves combine tradition and practicality. The durable exterior conceals super-efficient clean-burn technology that extracts maximum energy from the

combustion process and stores heat for many hours after lighting.

Providing years of faithful service, our Ironheart cooking stoves are engineered to exacting standards that ensure they can be relied upon to provide a constant source of warmth and comfort.

ESSE cooking stoves have a loyal following around the world: from Alpine ski chalets to the Australian outback, the Ironheart's unique combination of durable British design and dependable performance adds a touch of style and luxury to even the most out of the way country cottages or rural retreat.

IRONHEART



BAKEHEART



WARMHEART



# IRONHEART



**DOGBONE HOTPLATE**  
Fit 6 pans across the cooktop

HEAT SHIELD STANDARD

CLEAR VIEW OF THE FIRE

EASY ACCESS CLEANING

**47<sup>LTR</sup> OVEN**  
Cook directly on the bottom of the oven

WARMING  
YOUR HEART  
AND YOUR  
HOME

SINCE  
1854

FROM A  
**FAST BOIL**  
TO A  
**LAZY SIMMER**

(SAME HOTPLATE, DIFFERENT  
TEMPERATURE ZONES)

A COOKER  
TO GET  
**FIRED UP**  
ABOUT



**IRONHEART** is a stove and a range cooker in one, combining the best to celebrate 150 years of ESSE. With a powerful 80m<sup>2</sup> heat output and plenty of room to bake, boil, roast and braise...cooking and heating have never come together more beautifully in one robust cook stove for your home.



Unlike our traditional range cookers, which are designed to contain heat, the Ironheart has convection panels that radiate warmth like a wood-burning stove.

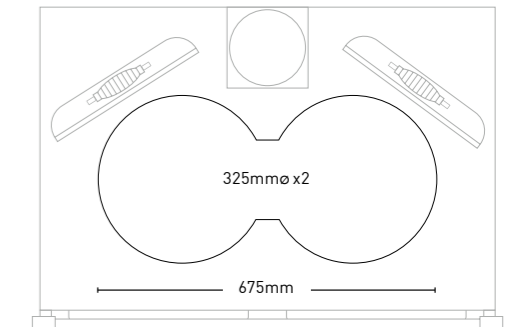
The large firebox can burn logs of up to 500mm (19½ inch). And, you'll enjoy watching the flames leap and flicker through the large clear glass window, a picture-perfect view.

The Ironheart is equipped to bring out the very best in creative cooks – so no wonder it's become a firm favourite with head chef Gill Meller and his team at River Cottage HQ.

The oven has a 47-litre capacity and you can also cook over direct coals in the firebox, while the 'dog-bone' cast iron hotplate will comfortably accommodate up to six pans.

**80m<sup>2</sup> HEAT OUTPUT**

CAST IRON HOTPLATE



RURAL  
APPROVED

**PERFECT  
FOR HEATING**

WITH A LARGE VIEW  
OF THE FIRE

**CLUNK!**

HAVE YOU HEARD  
HOW WELL  
YOUR ESSE  
IS ENGINEERED?

**PERFECT  
FOR EATING**

CAPACIOUS OVENS AND  
EXPANSIVE 6 PAN HOTPLATE  
EQUIPPED TO FEED  
THE WHOLE FAMILY  
(AND SURPRISE GUESTS!)



**ENGINEERED  
TO LAST**

& MADE IN  
BRITAIN

# BAKEHEART



**GRADUATED TEMPERATURE HOTPLATE TECHNOLOGY**  
Additional heat control to advance your cooking options

**HEAT SHIELD STANDARD**

**CLEAR VIEW OF THE FIRE**

**OUTSIDE AIR STANDARD**

**32L<sup>TR</sup> OVEN**  
Reaches cooking temperature within 30 minutes of lighting

**SIMPLE AIR CONTROL**

## THE STOVE THAT THINKS IT'S A COOKER

(OR IS IT THE OTHER WAY AROUND?)

Using the same principles as our best-selling Ironheart, offering a clear view of the flames through the large glass door to the firebox, the wood fired **BAKEHEART** provides ample heat to keep a cottage kitchen warm and toasty all night long with an extra long burn time.



## BAKING HEAVEN

**FROM YOUR DAILY BREAD TO SIMPLY DIVINE CAKES**

**ECAN APPROVED 193634**

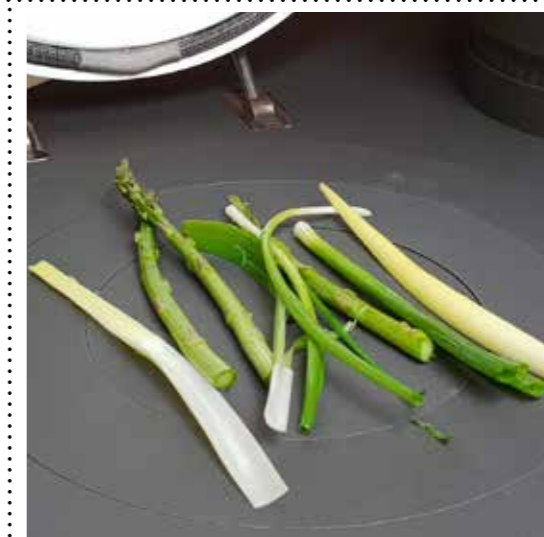
ESSE's unique heat transfer stove technology efficiently channels heat from the firebox into the 32-litre oven and hob, bringing them up to cooking temperature within 30 minutes of lighting.

Combine with a hot water jacket and the Bakeheart can also provide hot water while the hob and oven will cook a limitless range of wholesome and hearty dishes from warming casseroles to heavenly home-baked bread.

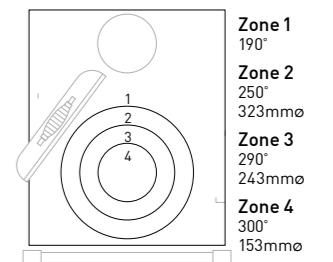
## BOIL, BRAISE, STEW & SIMMER

TEMPERATURE GRADUATED HOTPLATE

*Puts you in control*



**CAST IRON GRADUATED HOTPLATE**



**50m<sup>2</sup> HEAT OUTPUT**

Designed to accommodate dry, seasoned logs of up to 360mm 14inch length the Bakeheart can be installed pretty much anywhere to provide a reliable, 'off-grid' source of heat for extended periods.

Whether it's providing heat and hot water in a shack up in the mountains or wood fired pizzas on the verandah at the beach house, the Bakeheart can be counted on to deliver heat and sustenance, day in, day out.



**A STAND-ALONE SOLUTION WHEN SPACE IS AT A PREMIUM**



**MAKE IT THE HEART OF YOUR HOME**

# WARMHEART



**GRADUATED TEMPERATURE HOTPLATE TECHNOLOGY**  
Target hotplate allows for different temperatures

COOK OVER COALS

SIMPLE AIR CONTROL

OUTSIDE AIR STANDARD

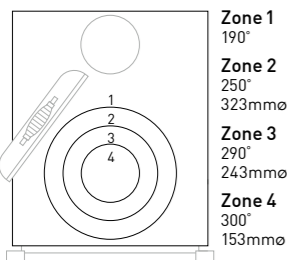
The **WARMHEART** incorporates convection panels that radiate warmth into the room for long periods on a single load – it's the stove that thinks it's a cooker!

The Warmheart provides ample heat to keep things warm and toasty while a casserole bubbles away on the hob or a couple of steaks sizzle over coals in the firebox.

ESSE's unique heat transfer stove technology efficiently channels heat from the firebox into the graduated temperature hob, bringing it up to cooking temperature within just a few minutes of lighting.

Combine with a hot water jacket and the 50m<sup>2</sup> Warmheart will also provide hot water while the hob can be used to boil a kettle, cook a casserole or griddle a steak.

## CAST IRON GRADUATED HOTPLATE



**ECAN  
APPROVED**  
193633

**STEAKS ON  
THE HOTPLATE**  
— OR —  
**FISH IN  
THE FIREBOX**  
SPECTACULAR CULINARY VERSATILITY

**ROOM-FILLING  
RADIANCE**  
**HEATS**  
**THE WHOLE  
KITCHEN**

Designed to accommodate dry, seasoned logs of up to 360mm (14inch) length the Warmheart can be installed pretty much anywhere to provide a reliable, 'off-grid' source of heat over extended periods – no mains services required.

Whether it's providing heat and hot water in a remote mountain hut or chargrilled T-bones or fresh cooked fish after a day fishing on the lake, the Warmheart can be counted on to deliver consistent heat and sustenance, wherever and whenever you need it.

# 700

A stunning windscreen view of the slow flickering flames can be seen through ESSE's 700 signature arch window and is ideally suited to bigger fireplaces or for installation as a freestanding focal point.

The 700 has the same British quality as all of ESSE's stoves, 100% English handmade, your 700 is perfect for heating up to 110m<sup>2</sup>

With a cast iron top you can pop a kettle on top of your ESSE 700 or let your pot roast simmer away all day.

Two air controls allow you to fully control the way your ESSE 700 burns.

The primary air control gives you impressive flames, where the bottom secondary air control works like bellows to give your fire a serious boost when needed.

The 700 is a multi-fuel stove which allows you to burn wood or briquettes. The grate and ash tray design makes cleaning a breeze.

The unfussy door design plus legs inspired by the iconic ESSE Ironheart cook stove – combine to create a look that's instantly recognisable as ESSE.



*Ancient*  
**MODERN**

A  
**21<sup>ST</sup> CENTURY  
STOVE**

BUILT ON 160 YEARS' EXPERIENCE

**DESIGN  
ICON**  
**CLASSIC LINES  
ENDURING BEAUTY**

**RURAL APPROVED**

**WOOD**  
OR

MULTIFUEL?  
**THE CHOICE IS  
YOURS.**

# HYBRID

## HALF WOOD

The ESSE Hybrid. The best of both worlds; half wood / half electric

The left hand side of the ESSE Hybrid is all wood.

Opening the beautiful cast iron door reveals a clear glass door through which you can be hypnotised by the fire and allow the 60m<sup>2</sup> of wood warmth to heat a room.

With the door closed, it allows you to get up and close to the stove whilst cooking.

The single wood cast iron oven is deceptively spacious and is perfect for Sunday roast or the fussiest of cakes.

The ESSE Hybrid also includes the same shelved firebricks and rack as the Ironheart family which allow you to cook inside your firebox. As your flame subsides to glowing embers, pop the rack into the firebox for a chargrill experience like no other.

The Hotplate can reach up to 400°C and by moving the saucepans across you can go from simmer to boil with ease.

The Hybrid is available standard without a hot water jacket (WN) or add a 3.8kW hot water (WD) for domestic hot water.

COOK OVER COALS

30<sup>LTR</sup> ELECTRIC OVEN

**WOOD HOTPLATE**  
Solid cast - performs just like a wood stove

**ELECTRIC HOTPLATE**  
Solid cast - performs just like a wood stove

42<sup>LTR</sup> ELECTRIC OVEN  
With full width grill

30<sup>LTR</sup> ELECTRIC OVEN

# HYBRID

## HALF ELECTRIC

The ESSE Hybrid. The best of both worlds; half wood / half electric

The right hand side of the ESSE Hybrid is all electric.

Comprising of **two true cooking ovens**, full-width grill and a generous cast iron hotplate. It delivers plug and play flexibility of a modern cooker with style and elegance of an ESSE.

Both the generous ovens feature patented 3kW wraparound elements and a 3kW 'wall-to-wall' grill element, that provides even temperatures and consistent performance all the way around both ovens.

**It performs just like a wood stove** with the cast iron construction radiating the heat you can bake in the top oven and roast in the bottom oven at the same time.

The Hotplate is solid cast and can reach up to 400°C and you cook on it just like a wood stove by moving the saucepans across you can go from simmer to boil with ease.

The controls are separate (no more having to clean around them) and can be wall mounted or hidden in a cupboard.

The ESSE Hybrid electric range cooker requires 1x 15Amp plug socket to install, so it couldn't be easier to fit, reducing the installation cost.

RURAL APPROVED

COOKING  
HEATING  
COMFORTING

ALL IN ONE

WOOD FIRED  
COOKING

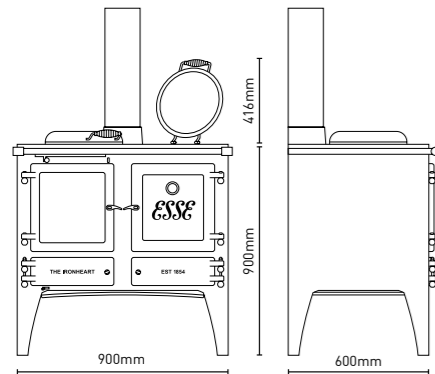
ELECTRIC  
COOKING

QUALITY  
BRITISH  
ENGINEERING

TIMELESS CLASSIC DESIGN

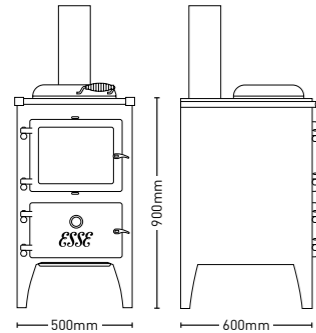
# TECHNICAL SPECIFICATIONS

## IRONHEART



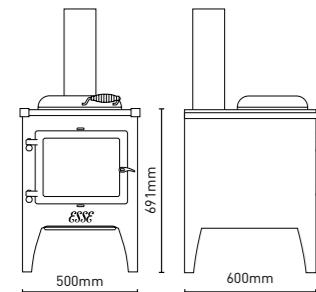
Heat Output	80m2	Flue pipe diameter	150mm (6inch)
Weight	370kg	Overnight burn	Yes
OVEN CAPACITY	47.8 litres	Pre-heated secondary airwash	Yes
W: 320mm H: 340mm D: 440mm		CLEARANCE TO COMBUSTIBLES	
Firebox can accommodate up to	500mm logs	From Sides: 160mm; Rear: 200mm	
Hotplate capacity	Up to 6 pans		
Rural Approved			

## BAKEHEART



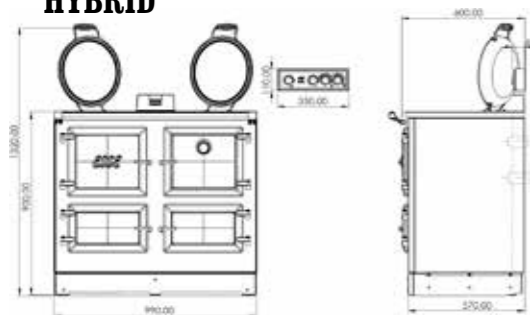
Heat Output	50m2	Flue pipe diameter	150mm (6inch)
Weight	195kg	Outside air kit	Yes
OVEN CAPACITY	32 litres	Overnight burn	Yes
W: 350mm H: 200mm D: 450mm		Single air control	Yes
Graduated temperature cast iron hotplate	190-300°C	CLEARANCE TO COMBUSTIBLE	
Firebox can accommodate up to	360mm logs	From Sides: 130mm; Rear: 225mm	
ECAN Approved	193634		

## WARMHEART



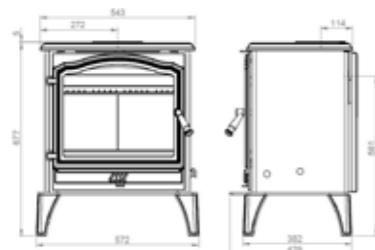
Heat Output	50m2	Flue pipe diameter	150mm (6inch)
Weight	155kg	Outside air kit	Yes
Graduated temperature cast iron hotplate	190-300°C	Overnight burn	Yes
Firebox can accommodate up to	360mm logs	Single air control	Yes
ECAN Approved	193633	CLEARANCE TO COMBUSTIBLES	
		From Sides: 350mm; Rear: 125mm	

## HYBRID



Heat Output	50m2 + 10m2	Flue pipe diameter	150mm (6inch)
Weight	430kg	Overnight burn	Yes
Graduated temperature cast iron hotplate	190-300°C	Single air control	Yes
Firebox can accommodate up to	360mm logs	CLEARANCE TO COMBUSTIBLES	
Rural Approved		From Sides: 350mm; Rear: 125mm	

## 700



Heat Output	90m2	Flue pipe diameter	150mm (6inch)
Weight	102kg	Overnight burn	Yes
Rural Approved		Single air control	No
		CLEARANCE TO COMBUSTIBLES	
		Sides 400mm; Rear 350mm; Corner 275mm	





*Over 160 years*  
**OF ESSE**  
**ENGINEERING**  
**CRAFT &**  
**INNOVATION**

**REFINED INTO THE CLASSIC IRONHEART FAMILY**



**Contact us**

Got a question for us about ESSE?

Imported by YUNCA GROUP

41 Onslow Street

Rockdale, Invercargill 9812

[www.yunca.co.nz](http://www.yunca.co.nz)

[sales@yunca.co.nz](mailto:sales@yunca.co.nz)

*ESSE*